

GAMME WILWOOD

ORT

**OFF ROAD
TECHNOLOGY**

MÉCANIQUE ET IMPORT

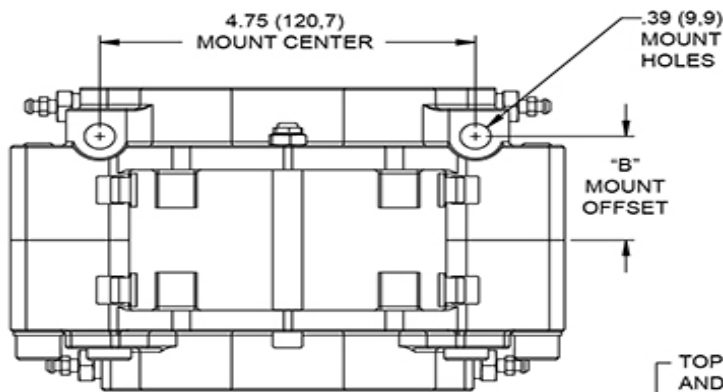
wilwoodTM

DISC BRAKES

TARIFS 2020

WWW.OFFROADTECHNOLOGY.FR - 02 28 15 12 52

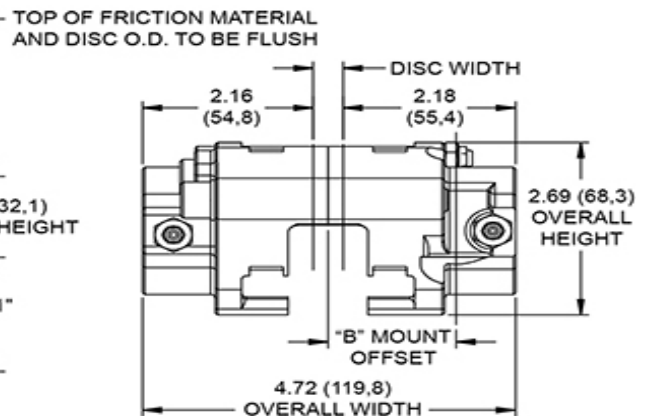
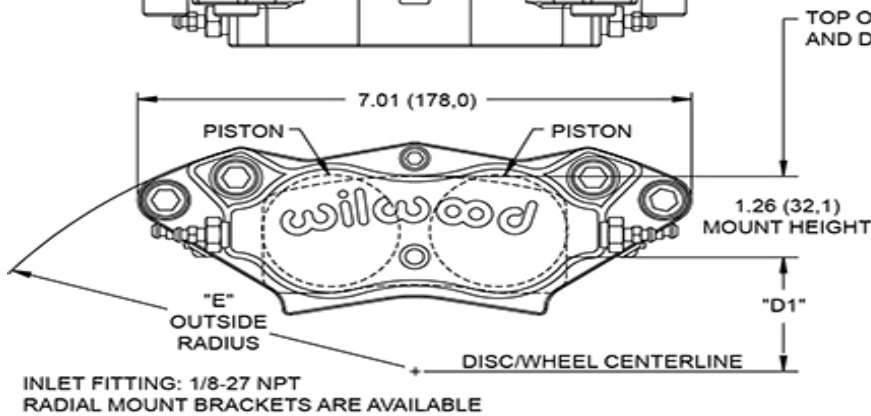
NARROW DYNALITE RADIAL MOUNT



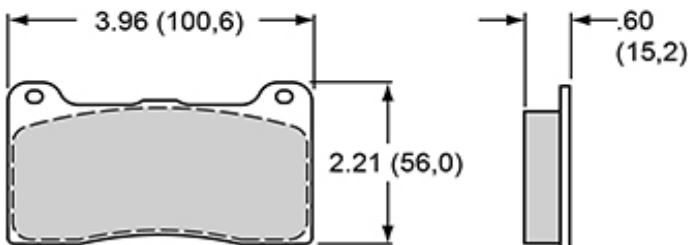
DISC WIDTH	"B" MOUNT OFFSET
.38 (9,6)	1.40 (35,6)
.81 (20,6)	1.62 (41,1)
1.00 (25,4)	1.72 (43,7)
1.25 (31,8)	1.84 (46,7)

DISC DIAMETER	"E" OUTSIDE RADIUS
10.50 (266,7)	6.20 (157,5)
11.75 (298,5)	6.73 (170,9)
12.19 (309,5)	6.93 (176,0)
12.72 (323,1)	7.18 (182,4)

DIMENSION "D1" = (DISC DIAMETER/2) - 1.26 (32,1)



NARROW DYNAPRO LUG CALIPER, TYPE 7816 PAD DIMENSIONS AND ORDERING INFORMATION:



AXLE SET P/N	PAD TYPE / COMPOUND
15A - 7263K	7816 A PolyMatrix
15B - 7264K	7816 B PolyMatrix
15E - 7266K	7816 E PolyMatrix
15H - 10645K	7816 H PolyMatrix
15Q - 7268K	7816 Q PolyMatrix
150 - 8946K	7816 10 BP-10 Smart Pad
150 - 9419K	7816 20 BP-20 Smart Pad
150 - 14776K	7816 30 BP-30 Smart Pad
150 - 12248K	7816 40 BP-40 Smart Pad
150 - 14346K	7816 CM For Titanium Rotor

02 28 15 12 52

WWW.OFFROADTECHNOLOGY.FR

NARROW DYNALITE RADIAL MOUNT

RÉFÉRENCE

DESCRIPTION

ÉTRIER :

120-13405-SI	CALIPER-BNDLR-SIDE INLET ANO	1,75" pistons, .38" disc
120-13406-SI	CALIPER-BNDLR-SIDE INLET ANO	1,75" pistons, .81" disc
120-14764-SI	CALIPER-BNDLR-SIDE INLET ANO	1,88" pistons, .38 disc
120-14765-SI	CALIPER-BNDLR-SIDE INLET ANO	1,88" pistons, .81" disc
120-15563-SI	CALIPER BNDLR	1,38" pistons, 0,81" disc
120-15564-SI	CALIPER BNDLR	1,38" pistons, 1,00" disc
120-15565-SI	CALIPER BNDLR	1,62" pistons, 0,81" disc
120-15566-SI	CALIPER BNDLR	1,62" pistons, 1,00" disc
120-15567-SI	CALIPER BNDLR	1,75" pistons, 1,00" disc
120-15568-SI	CALIPER BNDLR	1,88" pistons, 1,00" disc

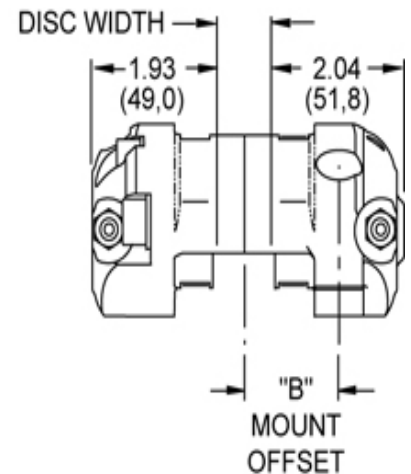
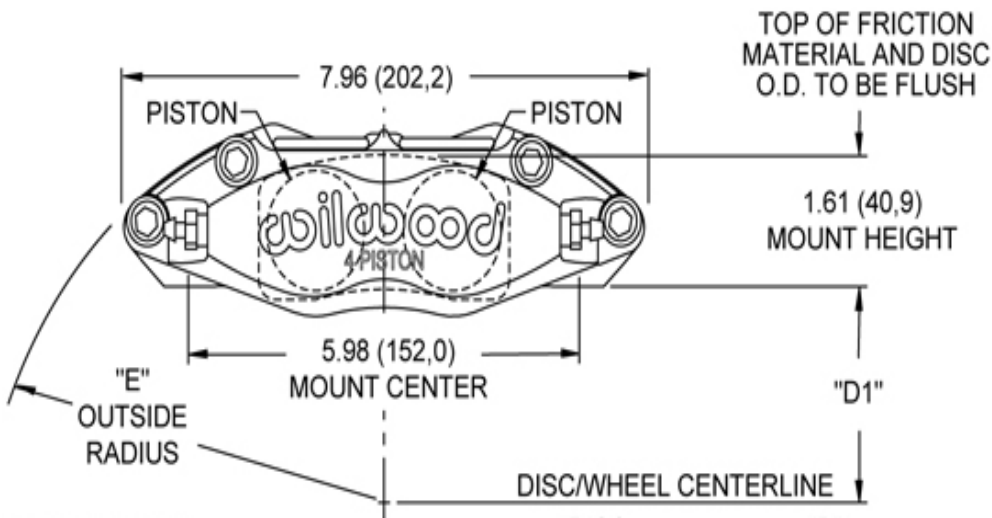
PLAQUETTE :

15A-7263K	POLYMATRIX PAD SET	7816
15B-7264K	POLYMATRIX PAD SET	7816
15E-7266K	POLYMATRIX PAD SET	7816
15H-10645K	POLYMATRIX PAD SET	7816
15Q-7268K	POLYMATRIX PAD SET	7816
150-8946K	PAD SET, BP-10	7816
150-9419K	PAD SET, BP-20	7812
150-14776K	PAD SET, BP-30	7816
150-12248K	PAD SET, BP-40	7816
150-14346K	PAD SET, CM	7816

02 28 15 12 52

WWW.OFFROADTECHNOLOGY.FR

DYNAPRO 4 PISTON RADIAL MOUNT-DUST SEAL



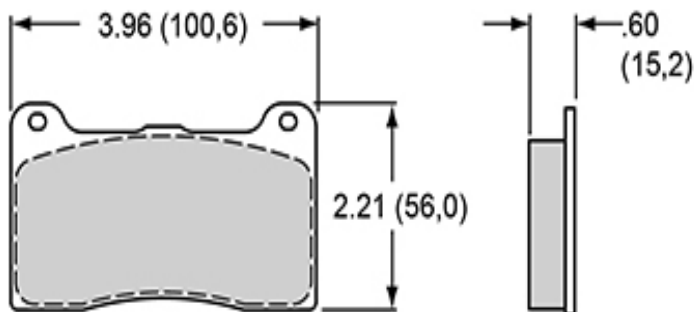
DIMENSION "D1" =
(DISC DIAMETER/2) - 1.61 (40,9)

INLET FITTING: 1/8-27 NPT

DISC WIDTH	"B" MOUNT OFFSET
.38/ .50 (9,7-12,7)	1.28 (32,5)
.81 (20,6)	1.45 (36,8)
1.00 (25,4)	1.53 (38,9)

DISC DIAMETER	"E" OUTSIDE RADIUS
10.75 (273,0)	6.15 (156,2)
11.75 (298,4)	6.57 (166,9)
12.19 (309,6)	6.77 (172,0)

NARROW DYNAPRO LUG CALIPER, TYPE 7816 PAD DIMENSIONS AND ORDERING INFORMATION:



AXLE SET P/N	PAD TYPE / COMPOUND
15A - 7263K	7816 A PolyMatrix
15B - 7264K	7816 B PolyMatrix
15E - 7266K	7816 E PolyMatrix
15H - 10645K	7816 H PolyMatrix
15Q - 7268K	7816 Q PolyMatrix
150 - 8946K	7816 10 BP-10 Smart Pad
150 - 9419K	7816 20 BP-20 Smart Pad
150 - 14776K	7816 30 BP-30 Smart Pad
150 - 12248K	7816 40 BP-40 Smart Pad
150 - 14346K	7816 CM For Titanium Rotor

02 28 15 12 52

WWW.OFFROADTECHNOLOGY.FR

DYNAPRO 4 PISTON RADIAL MOUNT-DUST SEAL

RÉFÉRENCE

DESCRIPTION

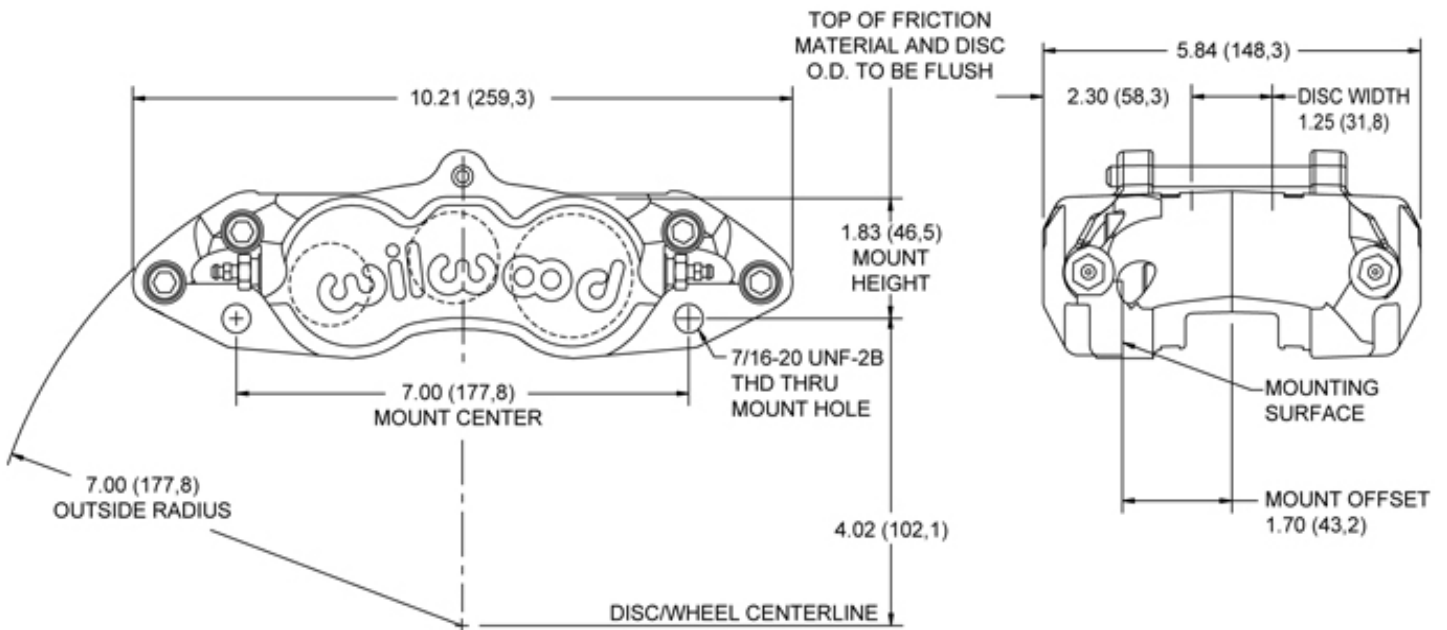
ÉTRIER :

120-14698	CALIPER DPR-DS	1,25 ; 0,38" pistons, 0,500" disc
120-14699	CALIPER DPR-DS	1,25" pistons, 0,81" disc
120-14700	CALIPER DPR-DS	1,25" pistons, 1,00" disc
120-14701	CALIPER DPR-DS	1,38" pistons, 0,81" disc
120-14702	CALIPER DPR-DS	1,38" pistons, 1,00" disc
120-14703	CALIPER DPR-DS	1,50" pistons, 0,50" disc
120-14704	CALIPER DPR-DS	1,50" pistons, 0,81" disc
120-14705	CALIPER DPR-DS	1,50" pistons, 1,00" disc
120-14706	CALIPER DPR-DS	1,62" pistons, 0,81" disc
120-14707	CALIPER DPR-DS	1,62" pistons, 1,00" disc
120-14708	CALIPER DPR-DS	1,75" pistons, 0,81" disc
120-14709	CALIPER DPR-DS	1,75" pistons, 1,00" disc

PLAQUETTE :

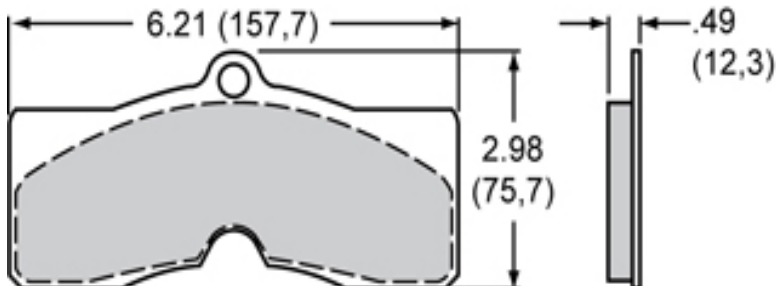
15A-7263K	POLYMATRIX	7816
15B-7264K	POLYMATRIX	7816
15E-7266K	POLYMATRIX	7816
15H-10645K	POLYMATRIX	7816
15Q-7268K	POLYMATRIX	7816
150-8946K	BP-10 SMART PAD	7816
150-9419K	BP-20 SMART PAD	7816
150-14776K	BP-30 SMART PAD	7816
150-12248K	BP-40 SMART PAD	7816
150-14346K	CM	7816

D8-6



NOTE: DIMENSIONS FOR USE WITH 1965-82 STOCK FRONT CORVETTE ROTOR, 11.75 (298,5) X 1.25 (31,8)
 INLET FITTING: 1/8-27 NPT

D8 CALIPER, TYPE D8 PAD DIMENSIONS AND ORDERING INFORMATION:



AXLE SET P/N	PAD TYPE / COMPOUND
15A - 6202K	D8 A PolyMatrix
150 - D0008K	D8 PM ProMatrix

02 28 15 12 52

WWW.OFFROADTECHNOLOGY.FR

D8-6

RÉFÉRENCE

DESCRIPTION

ÉTRIER :

120-11712

CALIPER- D8-6, L/H FRONT ANO

1,88/1,38/1,25" pistons, 1,25" disc

PLAQUETTE :

15A-6202K

POLYMATRIX PAD SET

D8

150-D0008K

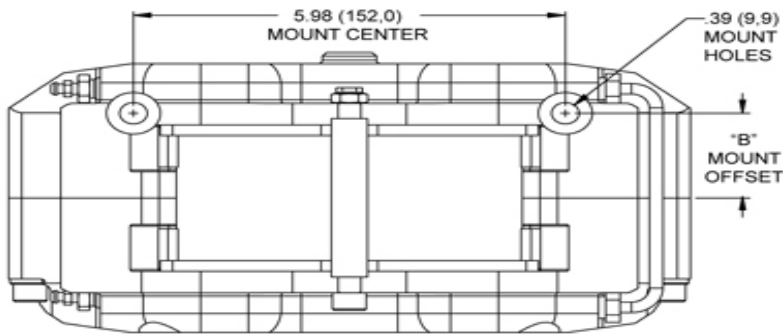
PAD SET PROMATRIX

D8

02 28 15 12 52

WWW.OFFROADTECHNOLOGY.FR

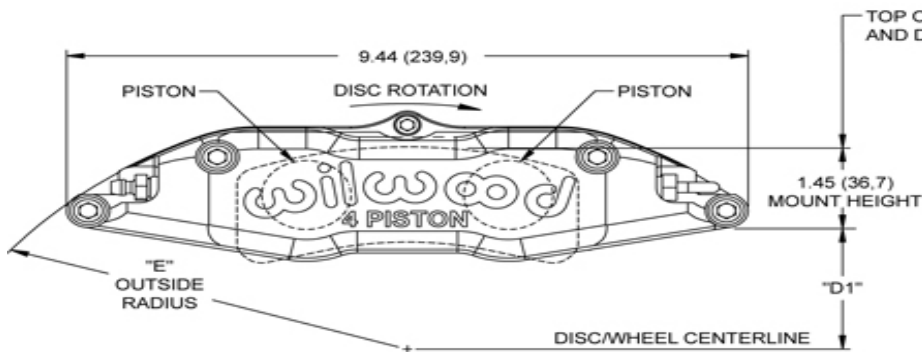
BILLET NARROW SUPERLITE 4R RADIAL. MOUNT



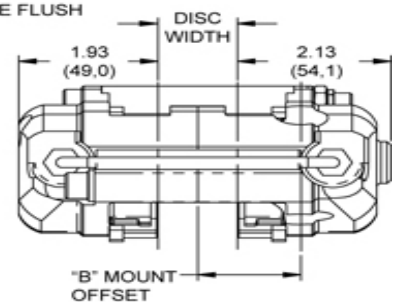
"B"	
DISC WIDTH	MOUNT OFFSET
1.10 (27,9)	1.43 (36,3)
1.25 (31,8)	1.52 (38,6)

"E"	
DISC DIAMETER	OUTSIDE RADIUS
11.75 (298,5)	6.77 (172,0)
12.19 (309,5)	6.94 (176,3)
12.72 (323,1)	7.16 (181,1)
12.88 (327,2)	7.23 (183,6)
13.00 (330,2)	7.29 (185,2)
14.00 (355,6)	7.75 (196,8)

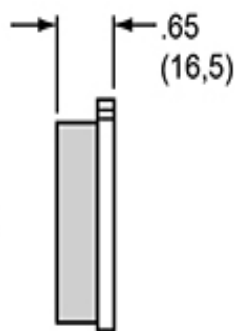
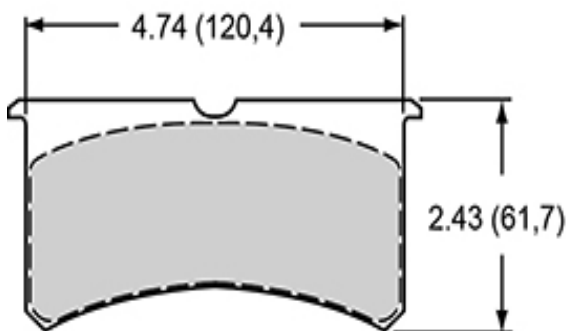
DIMENSION "D1" = (DISC DIAMETER/2) - 1.45 (36,7)
 NOTE: RIGHT HAND CALIPER SHOWN
 INLET FITTING: 1/8-27 NPT
 RADIAL MOUNT BRACKETS ARE AVAILABLE



TOP OF FRICTION MATERIAL AND DISC O.D. TO BE FLUSH



NARROW SUPERLITE 6 CALIPER, TYPE 7416 PAD DIMENSIONS AND ORDERING INFORMATION:



AXLE SET P/N	PAD TYPE / COMPOUND	
15A - 6704K	7416 A	PolyMatrix
15B - 6705K	7416 B	PolyMatrix
15E - 6707K	7416 E	PolyMatrix
15H - 8546K	7416 H	PolyMatrix
15Q - 6828K	7416 Q	PolyMatrix
150 - 8855K	7416 10	BP-10 Smart Pad
150 - 9415K	7416 20	BP-20 Smart Pad
150 - 14772K	7416 30	BP-30 Smart pad
150 - 12244K	7416 40	BP-40 Smart Pad

02 28 15 12 52

WWW.OFFROADTECHNOLOGY.FR

BILLET NARROW SUPERLITE 4R RADIAL. MOUNT

RÉFÉRENCE

DESCRIPTION

ÉTRIER :

120-8062-L	CALIPER-BNSL4R	1,25" pistons, 1,10" disc
120-8070-L	CALIPER-BNSL4R	1,75" pistons, 1,10" disc
20-8071-L	CALIPER-BNSL4R	1,75" pistons, 1,25" disc

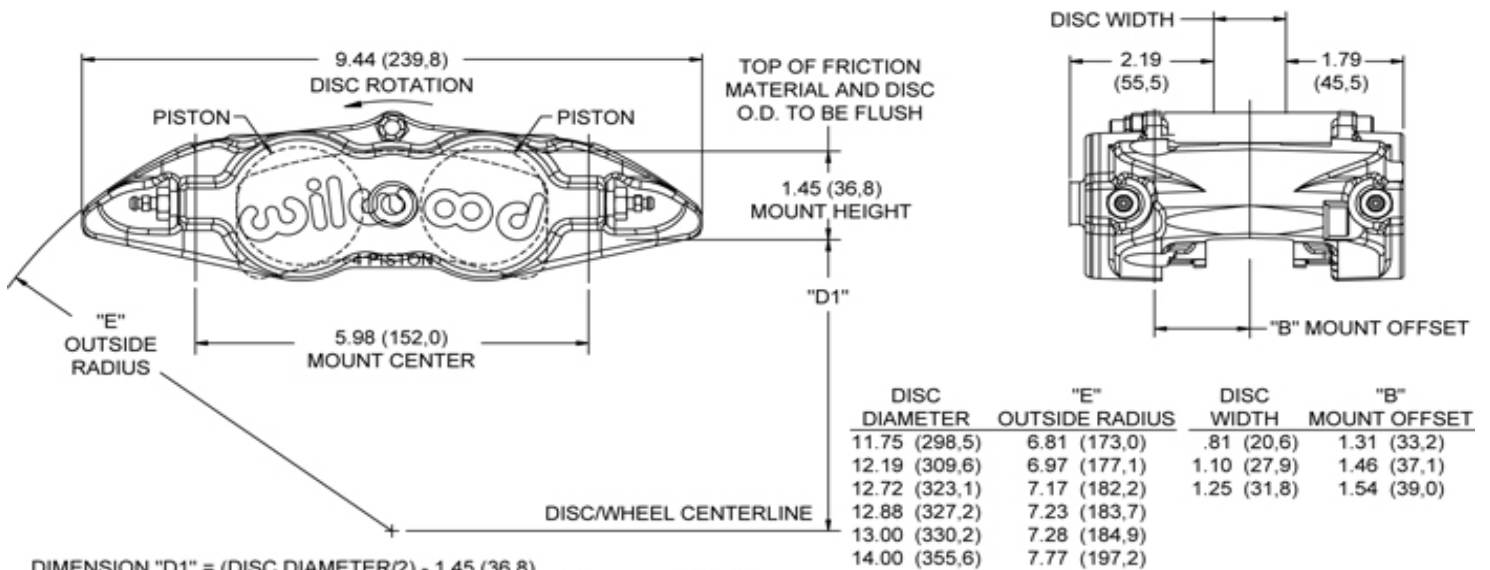
PLAQUETTE :

15A-6704K	POLYMATRIX PADSET	7416
15B-6705K	POLYMATRIX PADSET	7416
15E-6707K	POLYMATRIX PADSET	7416
15H-8546K	POLYMATRIX PADSET	7416
15Q-6828K	POLYMATRIX PADSET	7416
150-8855K	BP-10 SMART PAD	7416
150-9415K	BP-20 SMART PAD	7416
150-14772K	BP-30 SMART PAD	7416
150-12244K	BP-40 SMART PAD	7416

02 28 15 12 52

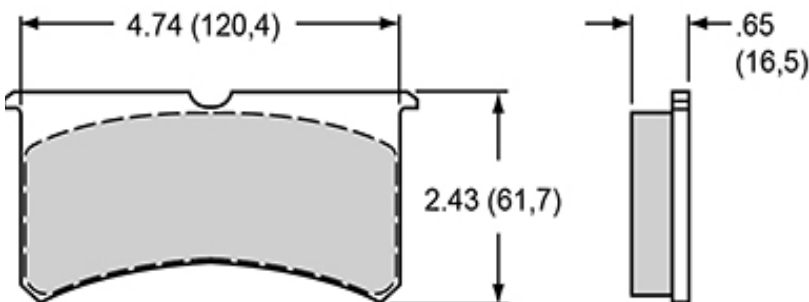
WWW.OFFROADTECHNOLOGY.FR

FNLS4R - DUST SEAL



DIMENSION "D1" = (DISC DIAMETER/2) - 1.45 (36,8)
 RIGHT HAND REAR MOUNT CALIPER SHOWN. INLET FITTING: 1/8-27 NPT
 RADIAL MOUNT BRACKETS ARE AVAILABLE

NARROW SUPERLITE 6 CALIPER, TYPE 7416 PAD DIMENSIONS AND ORDERING INFORMATION:



AXLE SET P/N	PAD TYPE / COMPOUND
15A - 6704K	7416 A PolyMatrix
15B - 6705K	7416 B PolyMatrix
15E - 6707K	7416 E PolyMatrix
15H - 8546K	7416 H PolyMatrix
15Q - 6828K	7416 Q PolyMatrix
150 - 8855K	7416 10 BP-10 Smart Pad
150 - 9415K	7416 20 BP-20 Smart Pad
150 - 14772K	7416 30 BP-30 Smart pad
150 - 12244K	7416 40 BP-40 Smart Pad

02 28 15 12 52

WWW.OFFROADTECHNOLOGY.FR

FNSL4R - DUST SEAL

RÉFÉRENCE

DESCRIPTION

ÉTRIER :

120-14439-BK

CALIPER-FNSL4R DUST SEAL BK

1,25/1,25" pistons, 1,10" disc

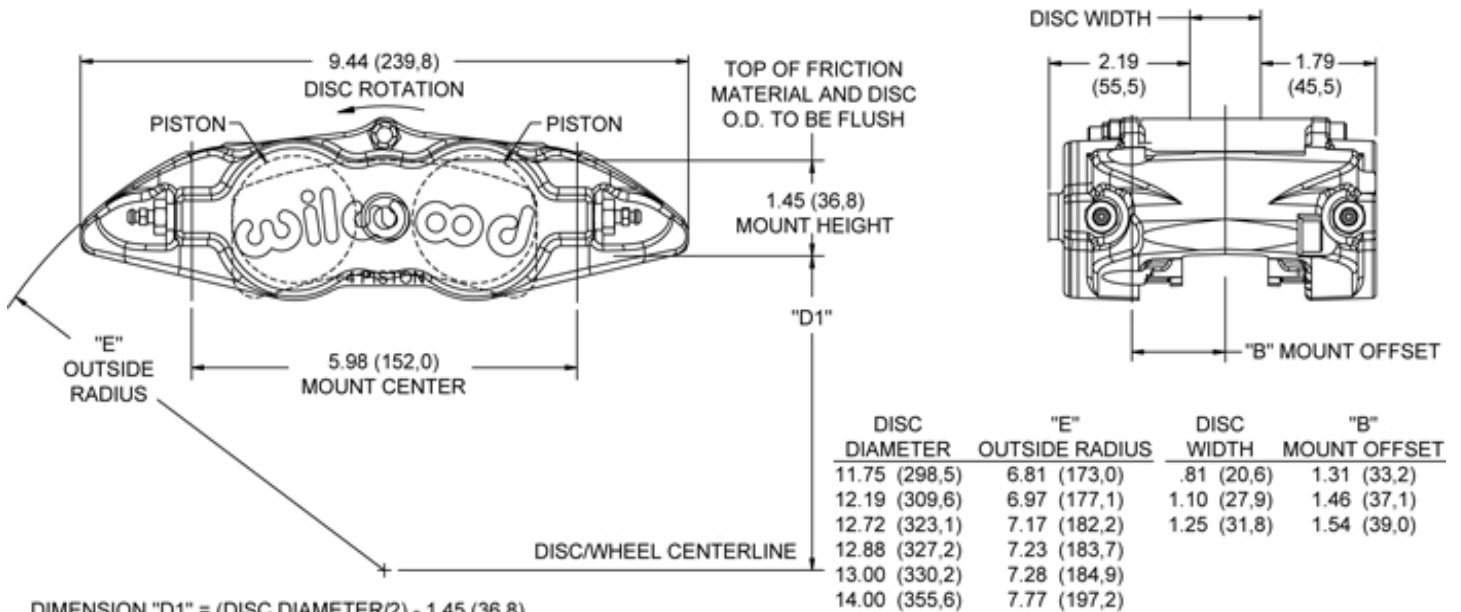
PLAQUETTE :

15A-6704K	POLYMATRIX PADSET	7416
15B-6705K	POLYMATRIX PADSET	7416
15E-6707K	POLYMATRIX PADSET	7416
15H-8546K	POLYMATRIX PADSET	7416
15Q-6828K	POLYMATRIX PADSET	7416
150-8855K	BP-10 SMART PAD	7416
150-9415K	BP-20 SMART PAD	7416
150-14772K	BP-30 SMART PAD	7416
150-12244K	BP-40 SMART PAD	7416

02 28 15 12 52

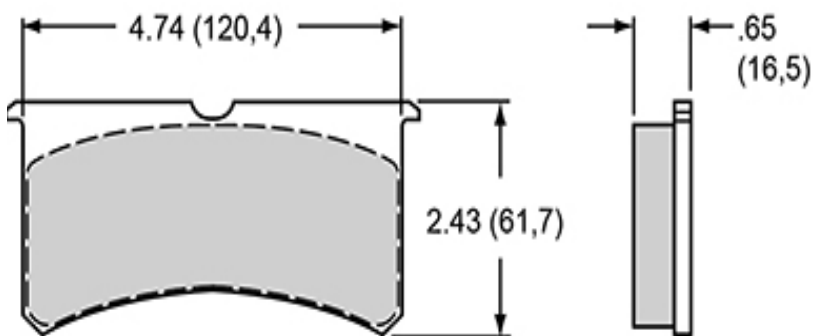
WWW.OFFROADTECHNOLOGY.FR

FNLSL4R



DIMENSION "D1" = (DISC DIAMETER/2) - 1.45 (36,8)
 RIGHT HAND REAR MOUNT CALIPER SHOWN. INLET FITTING: 1/8-27 NPT
 RADIAL MOUNT BRACKETS ARE AVAILABLE

NARROW SUPERLITE 6 CALIPER, TYPE 7416 PAD DIMENSIONS AND ORDERING INFORMATION:



AXLE SET P/N	PAD TYPE / COMPOUND
15A - 6704K	7416 A PolyMatrix
15B - 6705K	7416 B PolyMatrix
15E - 6707K	7416 E PolyMatrix
15H - 8546K	7416 H PolyMatrix
15Q - 6828K	7416 Q PolyMatrix
150 - 8855K	7416 10 BP-10 Smart Pad
150 - 9415K	7416 20 BP-20 Smart Pad
150 - 14772K	7416 30 BP-30 Smart pad
150 - 12244K	7416 40 BP-40 Smart Pad

02 28 15 12 52

WWW.OFFROADTECHNOLOGY.FR

FNSL4R

RÉFÉRENCE

DESCRIPTION

ÉTRIER :

120-11876	CALIPER FNSL4R	1,12/1,12" pistons, 0,81" disc
120-11782	CALIPER FNSL4R	1,12/1,12" pistons, 1,10" disc
120-11783	CALIPER FNSL4R	1,25/1,25" pistons, 1,10" disc
120-12602	CALIPER FNSL4R-ST	1,12/1,12" pistons, 1,10" disc
120-14055-BK	CALIPER FNSL4R	1,38" pistons, 0,810" disc
120-11784-BK	CALIPER FNSL4R	1,75/1,75" pistons, 1,10" disc
120-12501-BK	CALIPER FNSL4R	1,75" pistons, 1,25" disc
120-12603	CALIPER FNSL4R-ST	1,25/1,25" pistons, 1,10" disc
120-14056-BK	CALIPER FNSL4R	1,38" pistons, 1,10" disc

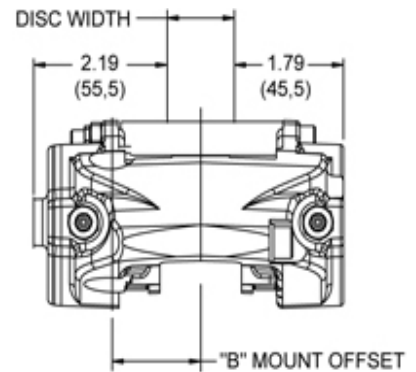
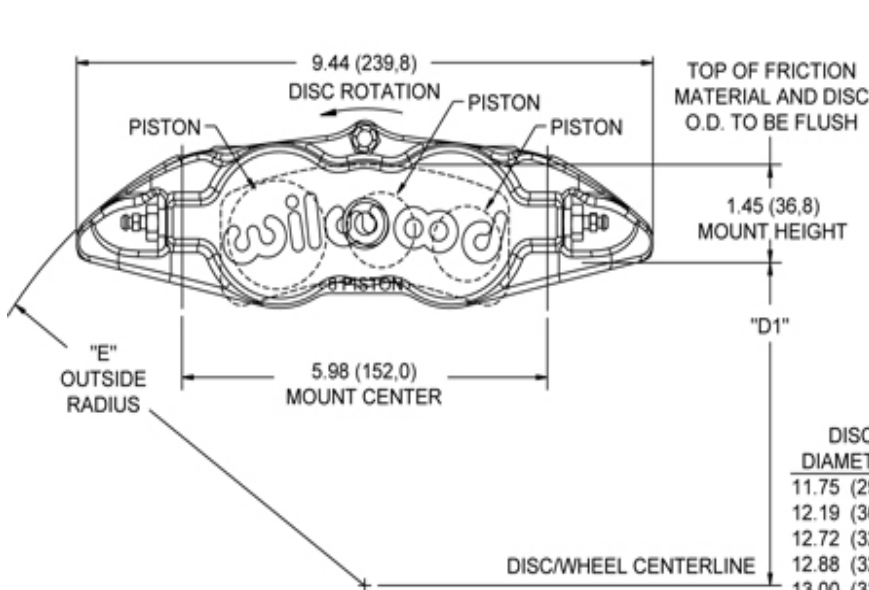
PLAQUETTE :

15A-6704K	POLYMATRIX PAD SET	7416
15B-6705K	POLYMATRIX PAD SET	7416
15E-6707K	POLYMATRIX PAD SET	7416
15H-8546K	POLYMATRIX PAD SET	7416
15Q-6828K	POLYMATRIX PAD SET	7416
150-8855K	PAD SET, BP-10	7416
150-9415K	PAD SET, BP-20	7416
150-14772K	PAD SET, BP-30	7416
150-12244K	PAD SET, BP-40	7416

02 28 15 12 52

WWW.OFFROADTECHNOLOGY.FR

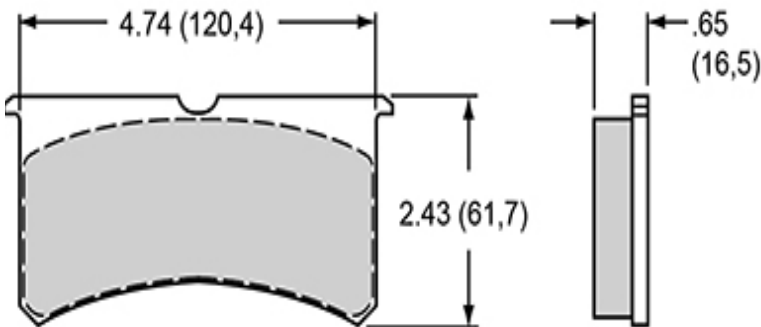
FNSL6R DUST SEAL



DISC DIAMETER	"E" OUTSIDE RADIUS	DISC WIDTH	"B" MOUNT OFFSET
11.75 (298,5)	6.81 (173,0)	1.10 (27,9)	1.46 (37,1)
12.19 (309,6)	6.97 (177,1)	1.25 (31,8)	1.54 (39,0)
12.72 (323,1)	7.17 (182,2)		
12.88 (327,2)	7.23 (183,7)		
13.00 (330,2)	7.28 (184,9)		
14.00 (355,6)	7.77 (197,2)		

DIMENSION "D1" = (DISC DIAMETER/2) - 1.45 (36,8)
 RIGHT HAND REAR MOUNT CALIPER SHOWN. INLET FITTING: 1/8-27 NPT
 RADIAL MOUNT BRACKETS ARE AVAILABLE

NARROW SUPERLITE 6 CALIPER, TYPE 7416 PAD DIMENSIONS AND ORDERING INFORMATION:



AXLE SET P/N	PAD TYPE / COMPOUND		
15A - 6704K	7416	A	PolyMatrix
15B - 6705K	7416	B	PolyMatrix
15E - 6707K	7416	E	PolyMatrix
15H - 8546K	7416	H	PolyMatrix
15Q - 6828K	7416	Q	PolyMatrix
150 - 8855K	7416	10	BP-10 Smart Pad
150 - 9415K	7416	20	BP-20 Smart Pad
150 - 14772K	7416	30	BP-30 Smart pad
150 - 12244K	7416	40	BP-40 Smart Pad

02 28 15 12 52

WWW.OFFROADTECHNOLOGY.FR

FNSL6R DUST SEAL

RÉFÉRENCE

DESCRIPTION

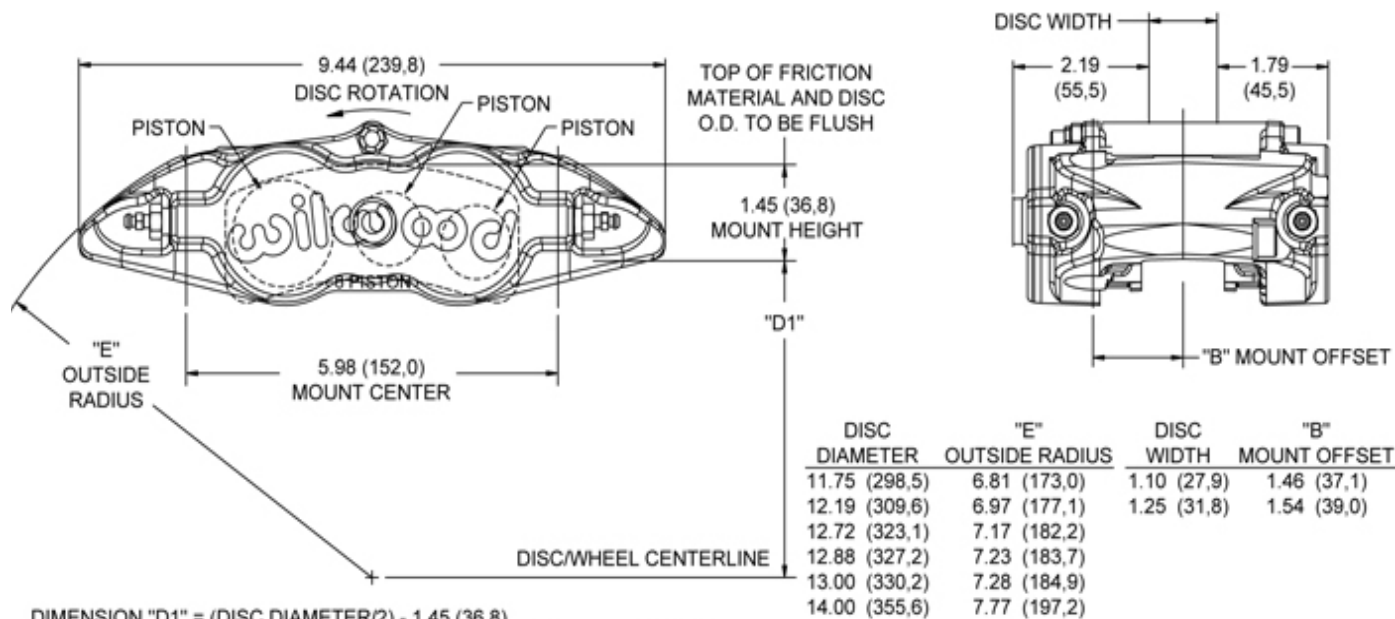
ÉTRIER :

120-14437-BK	Caliper FNSL6R dust seal	1,62/1,12/1,12" pistons, 1,10" disc
120-14490-BK	Caliper FNSL6R dust seal	1,62/1,12/1,12" pistons, 1,25" disc

PLAQUETTE :

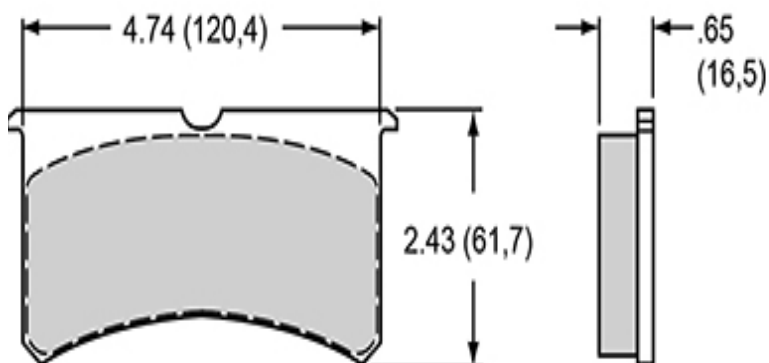
15A-6704K	POLYMATRIX	7416
15B-6705K	POLYMATRIX	7416
15E-6707K	POLYMATRIX	7416
15H-8546K	POLYMATRIX	7416
15Q-6828K	POLYMATRIX	7416
150-8855K	BP-10 SMART PAD	7416
150-9415K	BP-20 SMART PAD	7416
150-14772K	BP-30 SMART PAD	7416
150-12244K	BP-40 SMART PAD	7416

FNSL6R



DIMENSION "D1" = (DISC DIAMETER/2) - 1.45 (36,8)
 RIGHT HAND REAR MOUNT CALIPER SHOWN. INLET FITTING: 1/8-27 NPT
 RADIAL MOUNT BRACKETS ARE AVAILABLE

NARROW SUPERLITE 6 CALIPER, TYPE 7416 PAD DIMENSIONS AND ORDERING INFORMATION:



AXLE SET P/N	PAD TYPE / COMPOUND
15A - 6704K	7416 A PolyMatrix
15B - 6705K	7416 B PolyMatrix
15E - 6707K	7416 E PolyMatrix
15H - 8546K	7416 H PolyMatrix
15Q - 6828K	7416 Q PolyMatrix
150 - 8855K	7416 10 BP-10 Smart Pad
150 - 9415K	7416 20 BP-20 Smart Pad
150 - 14772K	7416 30 BP-30 Smart pad
150 - 12244K	7416 40 BP-40 Smart Pad

02 28 15 12 52

WWW.OFFROADTECHNOLOGY.FR

FNSL6R

RÉFÉRENCE

DESCRIPTION

ÉTRIER :

120-12003-BK	Caliper FNSL6R	1,38/1,12/1,12" pistons, 1,10" disc
120-11781	Caliper FNSL6R	1,62/1,12/1,12" pistons, 1,10" disc
120-11779	Caliper FNSL6R	1,62/1,12/1,12" pistons, 1,25" disc
120-14540-BK	Caliper FNSL6R	1,75/1,25/1,25" pistons, 1,10" disc
120-14551-BK	Caliper FNSL6R	1,75/1,12/1,12" pistons, 1,25" disc

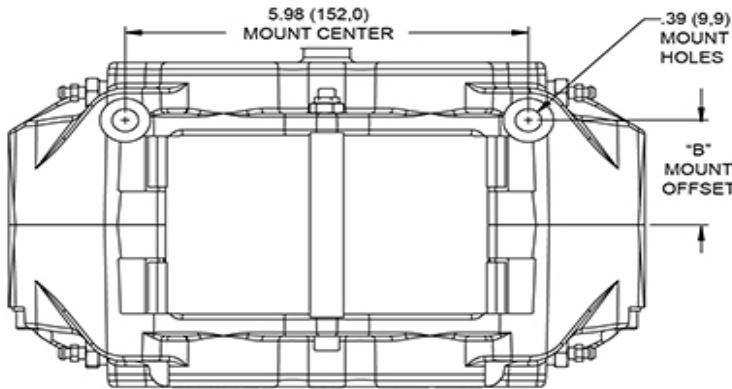
PLAQUETTE :

15A-6704K	POLYMATRIX	7416
15B-6705K	POLYMATRIX	7416
15E-6707K	POLYMATRIX	7416
15H-8546K	POLYMATRIX	7416
15Q-6828K	POLYMATRIX	7416
150-8855K	BP-10 SMART PAD	7416
150-9415K	BP-20 SMART PAD	7416
150-14772K	BP-30 SMART PAD	7416
150-12244K	BP-40 SMART PAD	7416

02 28 15 12 52

WWW.OFFROADTECHNOLOGY.FR

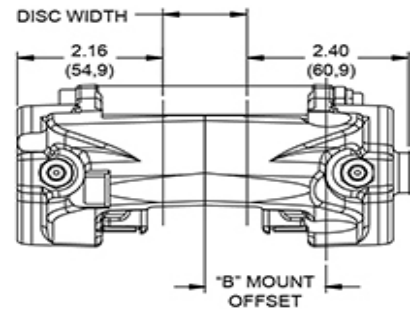
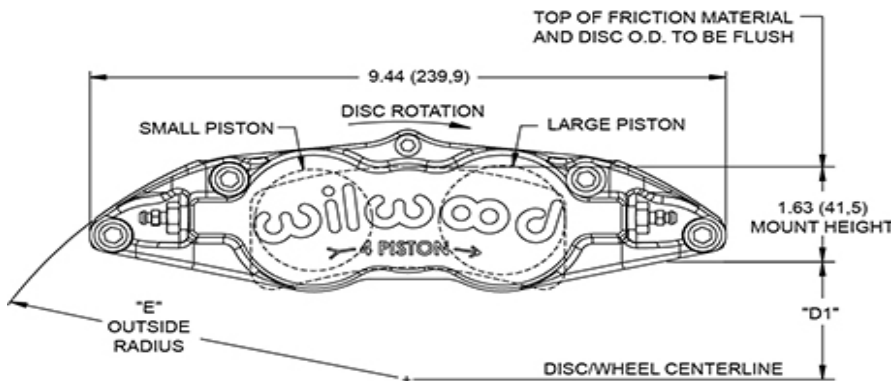
FORGED SUPERLITE 4R RADIAL MOUNT



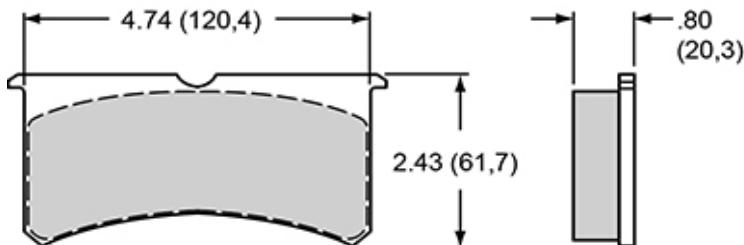
"B" MOUNT OFFSET	
DISC WIDTH	MOUNT OFFSET
.81 (20,6)	1.58 (40,1)
1.25 (31,8)	1.80 (45,7)

"E" OUTSIDE RADIUS	
DISC DIAMETER	OUTSIDE RADIUS
11.75 (298,5)	6.81 (173,0)
12.19 (309,5)	6.97 (177,1)
12.72 (323,1)	7.18 (182,4)
12.88 (327,2)	7.25 (184,2)
13.00 (330,2)	7.31 (185,7)
14.00 (355,6)	7.76 (197,1)

DIMENSION "D1" = (DISC DIAMETER/2) - 1.63 (41,5)
 NOTE: RIGHT HAND CALIPER SHOWN
 INLET FITTING: 1/8-27 NPT
 RADIAL MOUNT BRACKETS ARE AVAILABLE



NARROW SUPERLITE 4 CALIPER, TYPE 7420 PAD DIMENSIONS AND ORDERING INFORMATION:



AXLE SET P/N	PAD TYPE / COMPOUND
15A - 5938K	7420 A PolyMatrix
15B - 5939K	7420 B PolyMatrix
15C - 6853K	7420 C PolyMatrix
15E - 6084K	7420 E PolyMatrix
15H - 8114K	7420 H PolyMatrix
15J - 6443K	7420 J PolyMatrix
15Q - 6829K	7420 Q PolyMatrix
150 - 8854K	7420 10 BP-10 Smart Pad
150 - 9416K	7420 20 BP-20 Smart Pad
150 - 14773K	7420 30 BP-30 Smart Pad
150 - 12245K	7420 40 BP-40 Smart Pad
150 - 8323K	7420 CM For Titanium Rotor

02 28 15 12 52

WWW.OFFROADTECHNOLOGY.FR

FORGED SUPERLITE 4R RADIAL MOUNT

RÉFÉRENCE

DESCRIPTION

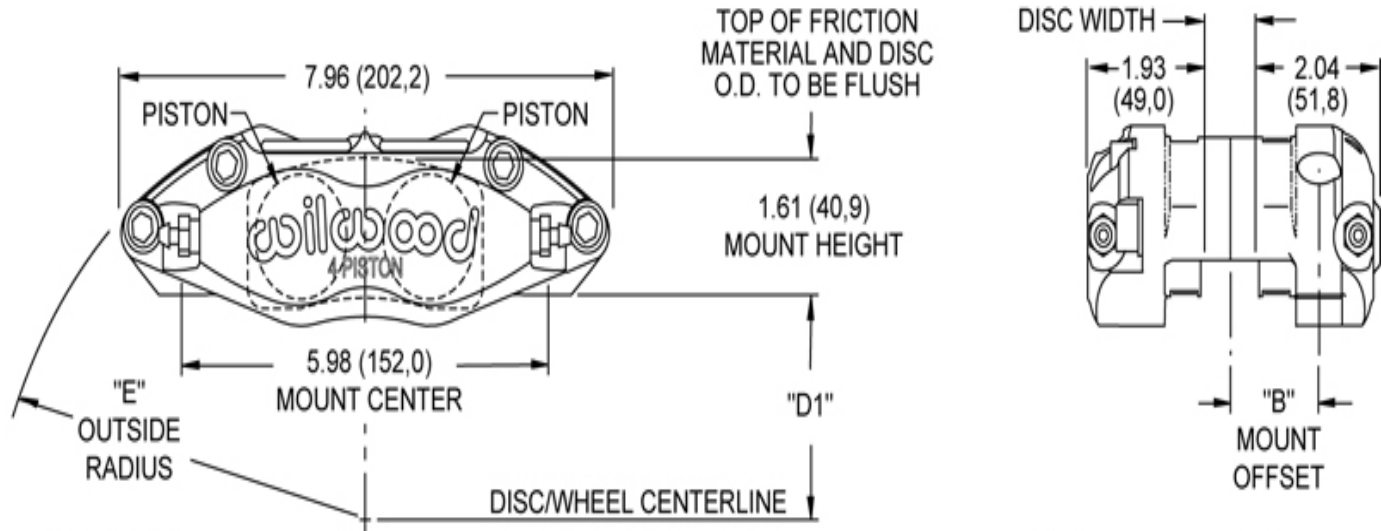
ÉTRIER :

120-13234	Caliper FSL4R	1,12/1,12" pistons, 0,81" disc
120-13233	Caliper FSL4R	1,25/1,25" pistons, 0,81" disc
120-13576	Caliper FSL4R-ST	1,25/1,25" pistons, 1,25" disc
120-13575	Caliper FSL4R-ST	1,25/1,25" pistons, 0,81" disc
120-13230	Caliper FSL4R	1,88/1,62" pistons, 1,25" disc
120-13266	Caliper FSL4R	1,88/1,62" pistons, 1,25" disc
120-13228	Caliper FSL4R	1,88/1,75" pistons, 1,25" disc
120-13829	Caliper FSL4R-ST	1,88/1,75" pistons, 0,81" disc
120-13264	Caliper FSL4R-ST	1,88/1,75" pistons, 1,25" disc

PLAQUETTE :

15A-5938K	POLYMATRIX	7420
15B-5939K	POLYMATRIX	7420
15E-6084K	POLYMATRIX	7420
15H-8114K	POLYMATRIX	7420
15Q-6829K	POLYMATRIX	7420
150-8854K	BP-10 SMART PAD	7420
150-9416K	BP-20 SMART PAD	7420
150-14773K	BP-30 SMART PAD	7420
150-12245K	BP-40 SMART PAD	7420

DYNAPRO ST 4 PISTON RADIAL MOUNT



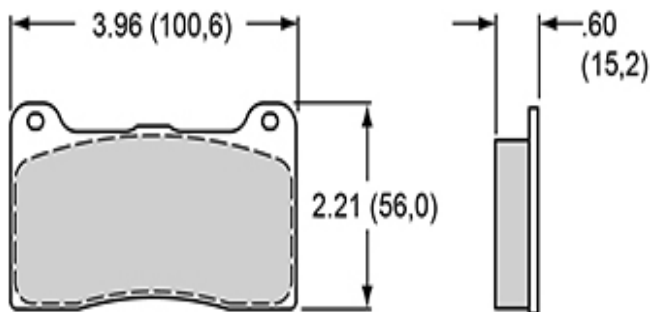
DIMENSION "D1" =
(DISC DIAMETER/2) - 1.61 (40,9)

INLET FITTING: 1/8-27 NPT

DISC WIDTH	"B" MOUNT OFFSET
.38/.50 (9,7-12,7)	1.28 (32,5)
.81 (20,6)	1.45 (36,8)
1.00 (25,4)	1.53 (38,9)

DISC DIAMETER	"E" OUTSIDE RADIUS
10.75 (273,0)	6.15 (156,2)
11.75 (298,4)	6.57 (166,9)
12.19 (309,6)	6.77 (172,0)

NARROW DYNAPRO LUG CALIPER, TYPE 7816 PAD DIMENSIONS AND ORDERING INFORMATION:



AXLE SET P/N	PAD TYPE / COMPOUND
15A - 7263K	7816 A PolyMatrix
15B - 7264K	7816 B PolyMatrix
15E - 7266K	7816 E PolyMatrix
15H - 10645K	7816 H PolyMatrix
15Q - 7268K	7816 Q PolyMatrix
150 - 8946K	7816 10 BP-10 Smart Pad
150 - 9419K	7816 20 BP-20 Smart Pad
150 - 14776K	7816 30 BP-30 Smart Pad
150 - 12248K	7816 40 BP-40 Smart Pad
150 - 14346K	7816 CM For Titanium Rotor

02 28 15 12 52

WWW.OFFROADTECHNOLOGY.FR

DYNAPRO ST 4 PISTON RADIAL MOUNT

RÉFÉRENCE

DESCRIPTION

ÉTRIER :

120-14944	CALIPER DPR	1,62" pistons, 0,810" disc
120-15453	CALIPER DPR	1,75" pistons, 0,810" disc

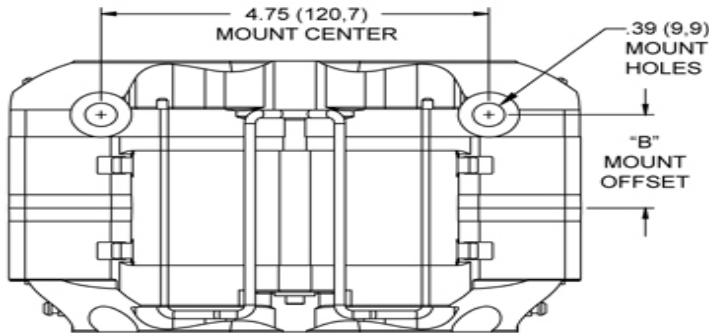
PLAQUETTE :

15A-7263K	POLYMATRIX	7816
15B-7264K	POLYMATRIX	7816
15E-7266K	POLYMATRIX	7816
15H-10645K	POLYMATRIX	7816
15Q-7268K	POLYMATRIX	7816
150-8946K	BP-10 SMART PAD	7816
150-9419K	BP-20 SMART PAD	7816
150-14776K	BP-30 SMART PAD	7816
150-12248K	BP-40 SMART PAD	7816
150-14346K	FOR TITANIUM ROTOR	7816

02 28 15 12 52

WWW.OFFROADTECHNOLOGY.FR

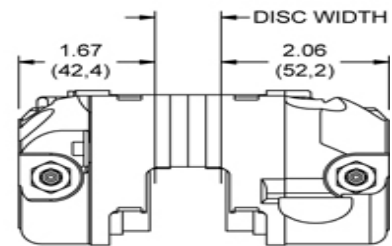
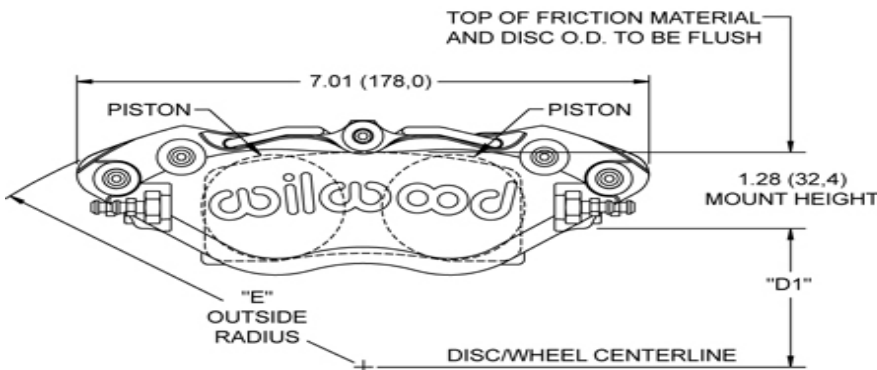
NARROW DYNAPRO 4 PISTON RADIAL MOUNT



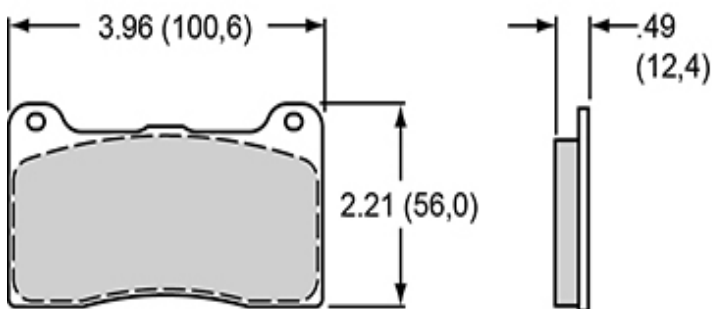
"B" MOUNT OFFSET	
.38 (9,7)	1.34 (34,0)
.81 (20,6)	1.56 (39,6)

DISC DIAMETER	"E" OUTSIDE RADIUS
10.00 (254,0)	5.97 (151,6)
10.50 (266,7)	6.17 (156,7)
10.75 (273,1)	6.28 (159,5)
11.00 (279,4)	6.38 (162,1)
11.75 (298,5)	6.71 (170,4)
12.19 (309,6)	6.90 (175,3)

DIMENSION "D1" = (DISC DIAMETER/2) - 1.28 (32,4)
 INLET FITTING: 1/8-27 NPT
 RADIAL MOUNT BRACKETS ARE AVAILABLE



DYNAPRO LUG CALIPER, TYPE 7812 PAD DIMENSIONS AND ORDERING INFORMATION:



AXLE SET P/N	PAD TYPE / COMPOUND
15A - 9835K	7812 A PolyMatrix
15B - 9836K	7812 B PolyMatrix
15E - 9837K	7812 E PolyMatrix
15H - 10644K	7812 H PolyMatrix
15Q - 10385K	7812 Q PolyMatrix
150 - 9136K	7812 10 BP-10 Smart Pad
150 - 9418K	7812 20 BP-20 Smart Pad
150 - 14775K	7812 30 BP-30 Smart Pad
150 - 12247K	7812 40 BP-40 Smart Pad
150 - 14345K	7812 CM For Titanium Rotor

02 28 15 12 52

WWW.OFFROADTECHNOLOGY.FR

NARROW DYNAPRO 4 PISTON RADIAL MOUNT

RÉFÉRENCE

DESCRIPTION

ÉTRIER :

120-9933	CALIPER DPRN	1,75" piston, 0,38" disc
120-10000	CALIPER DPRN	1,75" piston, 0,81" disc
120-14091		

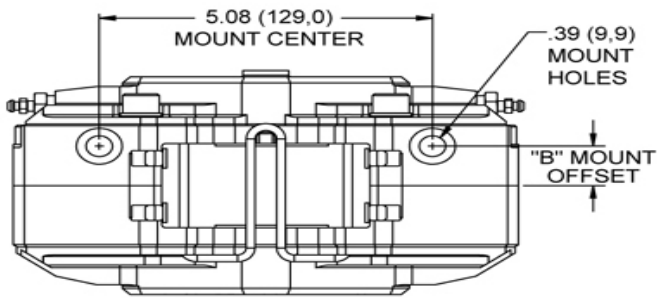
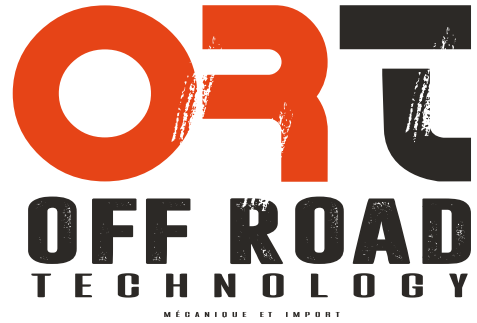
PLAQUETTE :

15A-9835K	POLYMATRIX	7812
15B-9836K	POLYMATRIX	7812
15E-9837K	POLYMATRIX	7812
15H-10644K	POLYMATRIX	7812
15Q-10385K	POLYMATRIX	7812
150-9136K	BP-10 SMART PAD	7812
150-9418K	BP-20 SMART PAD	7812
150-14775K	BP-30 SMART PAD	7812
150-12247K	BP-40 SMART PAD	7812
150-14345K	FOR TITANIUM ROTOR	7812

02 28 15 12 52

WWW.OFFROADTECHNOLOGY.FR

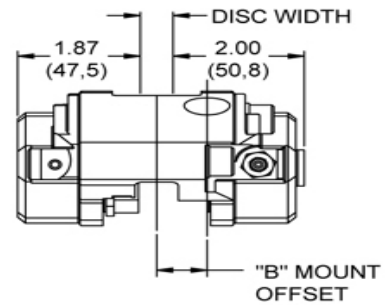
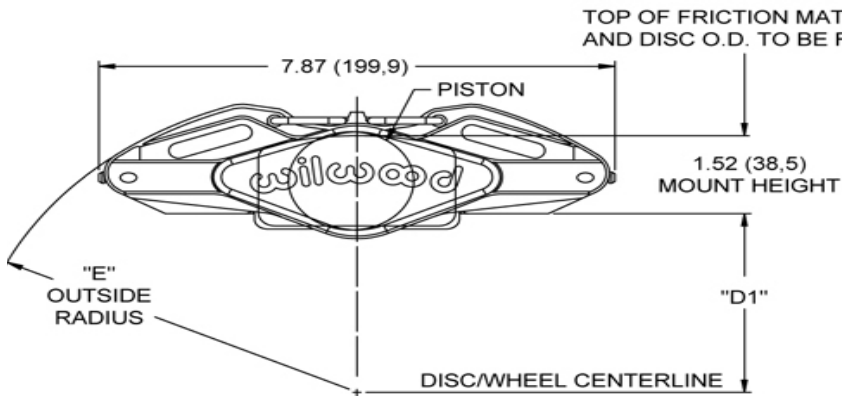
POWERLITE 2R RADIAL MOUNT



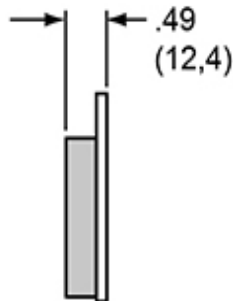
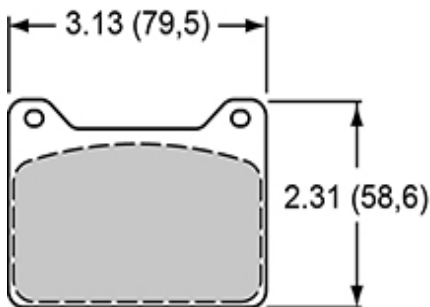
DISC WIDTH	"B" MOUNT OFFSET
.24/.50 (6,1/12,7)	.77 (19,5)

DISC DIAMETER	"E" OUTSIDE RADIUS	"D1" DIMENSION
9.75 (247,7)	5.81 (147,5)	3.36 (85,3)
10.25 (260,4)	6.03 (153,1)	3.61 (91,7)
10.50 (266,7)	6.14 (156,1)	3.73 (94,8)
10.75 (273,1)	6.26 (159,1)	3.86 (98,0)
11.00 (279,4)	6.38 (162,1)	3.98 (101,2)

DIMENSION "D1" = (DISC DIAMETER/2) - 1.52 (38,5)
 INLET FITTING: M10-1.00
 RADIAL MOUNT BRACKETS ARE AVAILABLE



POWERLITE CALIPER, TYPE 7912 PAD DIMENSIONS AND ORDERING INFORMATION:



AXLE SET P/N	PAD TYPE / COMPOUND
15A - 8809K	7912 A PolyMatrix
15B - 8949K	7912 B PolyMatrix
15E - 8810K	7912 E PolyMatrix
15H - 8811K	7912 H PolyMatrix
15Q - 8812K	7912 Q PolyMatrix
150 - 8813K	7912 10 BP-10 Smart Pad
150 - 9420K	7912 20 BP-20 Smart Pad
150 - 14781K	7912 30 BP-30 Smart Pad
150 - 12842K	7912 40 BP-40 Smart Pad

02 28 15 12 52

WWW.OFFROADTECHNOLOGY.FR

POWERLITE 2R RADIAL MOUNT

RÉFÉRENCE

DESCRIPTION

ÉTRIER :

120-13864-N

Caliper FSL4R-R

1,88/1,75" pistons, 0,81" disc

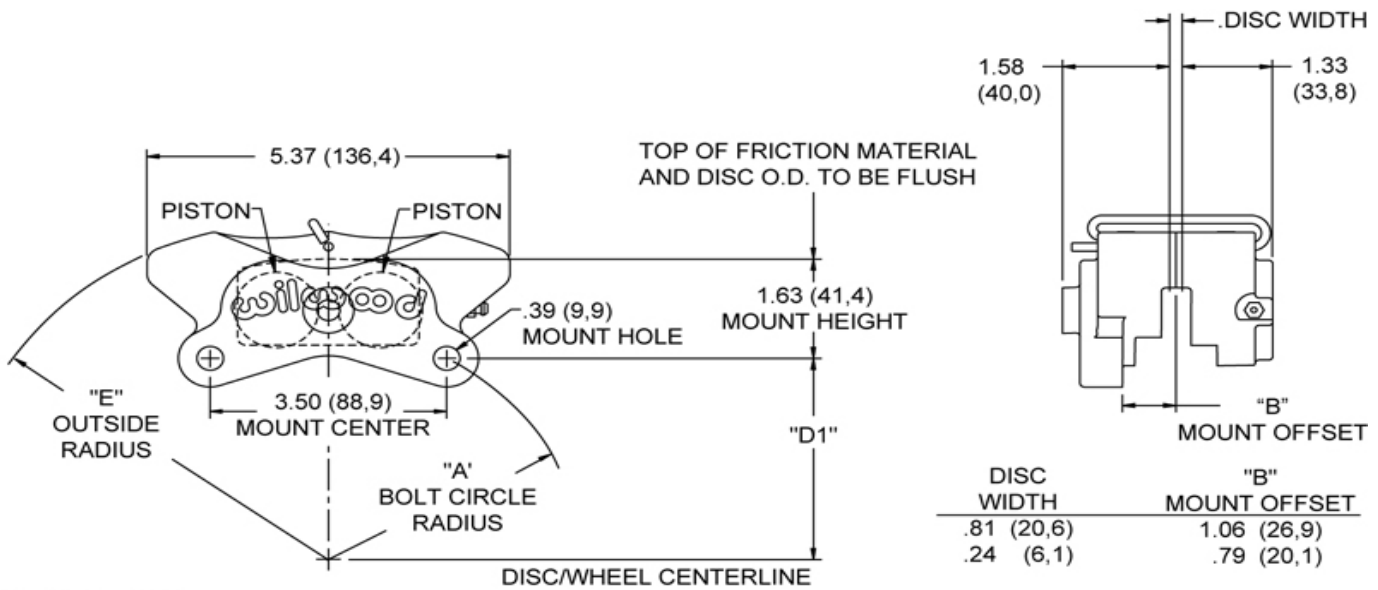
PLAQUETTE :

15A-8809K	POLYMATRIX	7912
15B-8949K	POLYMATRIX	7912
15E-8810K	POLYMATRIX	7912
15H-8811K	POLYMATRIX	7912
15Q-8812K	POLYMATRIX	7912
150-8813K	BP-10 SMART PAD	7912
150-9420K	BP-20 SMART PAD	7912
150-14781K	BP-30 SMART PAD	7912
150-12842K	BP-40 SMART PAD	7912

02 28 15 12 52

WWW.OFFROADTECHNOLOGY.FR

GP320

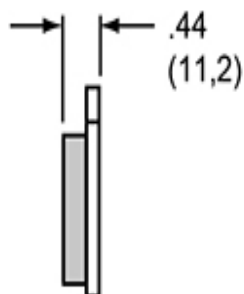
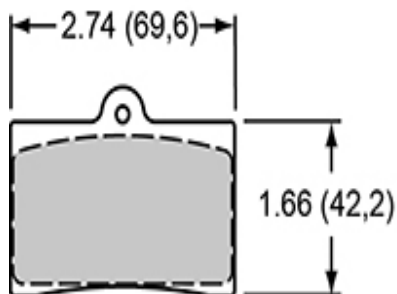


DIMENSION "D1" =
(DISC DIAMETER/2) - 1.63 (41,4)

INLET FITTING: 1/8-27 NPT

DISC DIAMETER	"E" OUTSIDE RADIUS	"D1" HEIGHT	"A" BOLT CIRCLE RADIUS
9.00 (228,6)	5.31 (134,8)	2.87 (72,8)	3.36 (85,3)
9.88 (251,0)	5.70 (144,7)	3.31 (84,0)	3.74 (95,0)
10.00 (254,0)	5.75 (146,1)	3.37 (85,5)	3.79 (96,4)
10.75 (273,1)	6.09 (154,7)	3.74 (95,0)	4.13 (104,9)
11.00 (279,4)	6.21 (157,6)	3.87 (98,2)	4.24 (107,8)
11.50 (292,1)	6.43 (163,4)	4.12 (104,5)	4.47 (113,6)

GP 320 CALIPER, TYPE 6211 PAD DIMENSIONS AND ORDERING INFORMATION:



AXLE SET P/N	PAD TYPE / COMPOUND
15B - 11966K	6211 B PolyMatrix
15H - 8596K	6211 H PolyMatrix
15Q - 11967K	6211 Q PolyMatrix
150 - 13392K	6211 40 BP-40 Smart Pad
150 - 14362K	6211 CM Composite Metallic
150 - 13335K	6211 Purple

02 28 15 12 52

WWW.OFFROADTECHNOLOGY.FR

GP320

RÉFÉRENCE

DESCRIPTION

ÉTRIER :

120-8525	CALIPER GP320	1,25" pistons, 0,235" disc
120-10715	CALIPER GP320	1,25 pistons, 0,81" disc

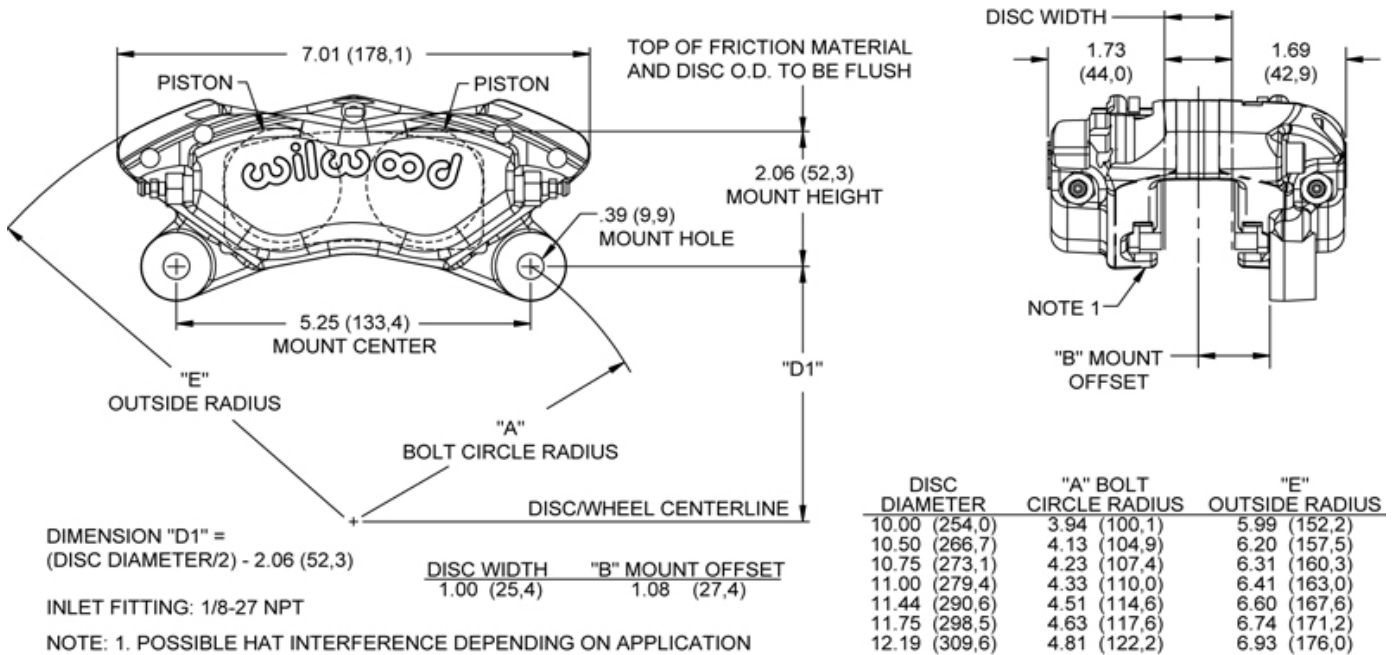
PLAQUETTE :

15B-11966K	POLYMATRIX	6211
15H-8596K	POLYMATRIX	6211
15Q-11967K	POLYMATRIX	6211
150-13392K	BP-40 SMART PAD	6211
150-14362K	COMPOSITE METALLIC	6211
150-13335K	PURPLE	6211

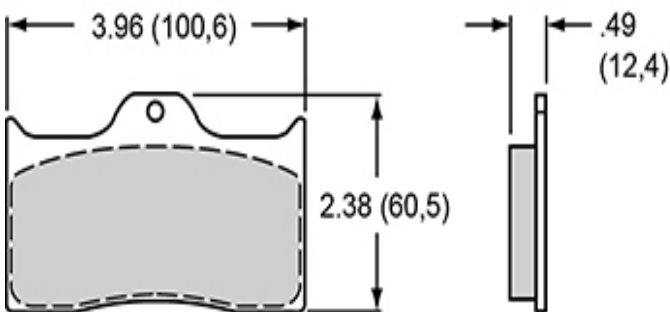
02 28 15 12 52

WWW.OFFROADTECHNOLOGY.FR

FORGED DYNALITE-M



DYNALITE CALIPER, TYPE 7112 PAD DIMENSIONS AND ORDERING INFORMATION:



AXLE SET P/N	PAD TYPE / COMPOUND
15A - 5734K	7112 A PolyMatrix
15B - 3991K	7112 B PolyMatrix
15C - 4415K	7112 C PolyMatrix
15E - 6096K	7112 E PolyMatrix
15H - 8291K	7112 H PolyMatrix
15Q - 6824K	7112 Q PolyMatrix
150 - 8850K	7112 10 BP-10 Smart Pad
150 - 9413K	7112 20 BP-20 Smart Pad
150 - 14771K	7112 30 BP-30 Smart Pad
150 - 12243K	7112 40 BP-40 Smart Pad
150 - 8450K	7112 CM For Titanium Rotor

02 28 15 12 52

WWW.OFFROADTECHNOLOGY.FR

FORGED DYNALITE-M

RÉFÉRENCE

DESCRIPTION

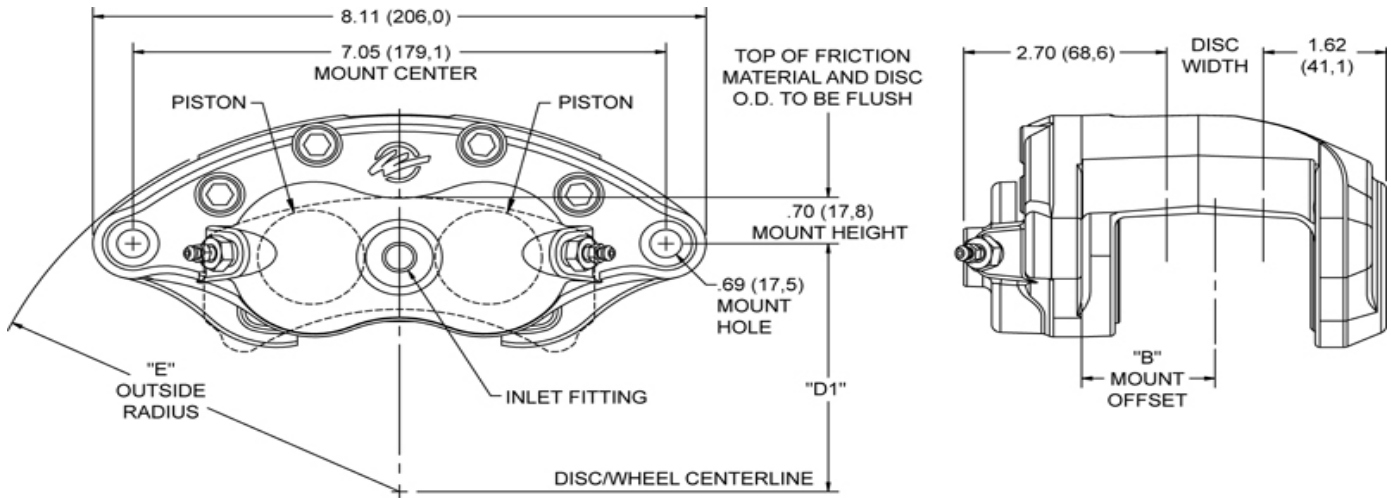
ÉTRIER :

120-13551	CALIPER FORGED DYNALITE	1,75" pistons, 1,00" disc
120-13744	CALIPER FORGED DYNALITE	1,75" pistons, 0,81" disc
120-13745	CALIPER FORGED DYNALITE	1,75" pistons, 1,25" disc

PLAQUETTE :

15A-5734K	POLYMATRIX PAD SET	7112
15B-3991K	POLYMATRIX PAD SET	7112
15E-6096K	POLYMATRIX PAD SET	7112
15H-8291K	POLYMATRIX PAD SET	7112
15Q-6824K	POLYMATRIX PAD SET	7112
150-8850K	PAD SET BP-10	7112
150-9413K	PAD SET BP-20	7112
150-14771K	PAD SET BP-30	7112
150-12243K	PAD SET BP-40	7112

GM D52 DUAL PISTON



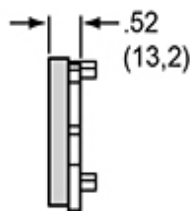
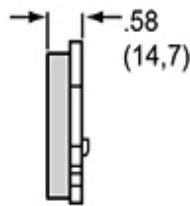
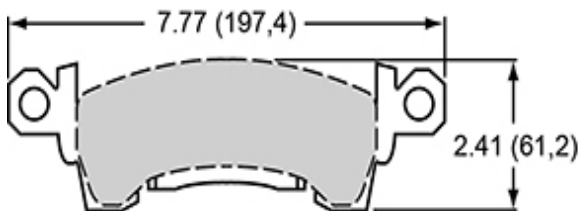
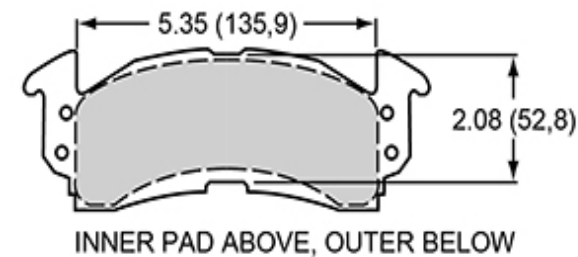
DIMENSION "D1" = (DISC DIAMETER/2) - .70 (17,8)
 CALIPER MOVES INWARD AS PAD WEARS, .35 (8,9) MAX.
 INLET FITTING: 7/16-20 BANJO

THIS CALIPER IS A DIRECT REPLACEMENT FOR FACTORY
 CALIPERS USING THE D52 TYPE BRAKE PAD.

DISC WIDTH	"B" MOUNT OFFSET
1.04 (26,4)	1.64 (41,7)
1.28 (32,5)	1.76 (44,7)

DISC DIAMETER	"E" OUTSIDE RADIUS
11.00 (279,4)	6.78 (172,2)
11.75 (298,5)	7.15 (181,6)
11.88 (301,8)	7.22 (183,4)
12.50 (317,5)	7.53 (191,3)

GM III CALIPER, TYPE D52 PAD DIMENSIONS AND ORDERING INFORMATION:



AXLE SET P/N	PAD TYPE / COMPOUND
15A - 5737K	D52 A PolyMatrix
15B - 3994K	D52 B PolyMatrix
15C - 4419K	D52 C PolyMatrix
15E - 6102K	D52 E PolyMatrix
15H - 8232K	D52 H PolyMatrix
15Q - 6830K	D52 Q PolyMatrix
150 - 8939K	D52 10 BP-10 Smart Pad
150 - 9421K	D52 20 BP-20 Smart Pad
150 - 14777K	D52 30 BP-30 Smart Pad
150 - 12249K	D52 40 BP-40 Smart Pad

02 28 15 12 52

WWW.OFFROADTECHNOLOGY.FR

GM D52 DUAL PISTON

RÉFÉRENCE

DESCRIPTION

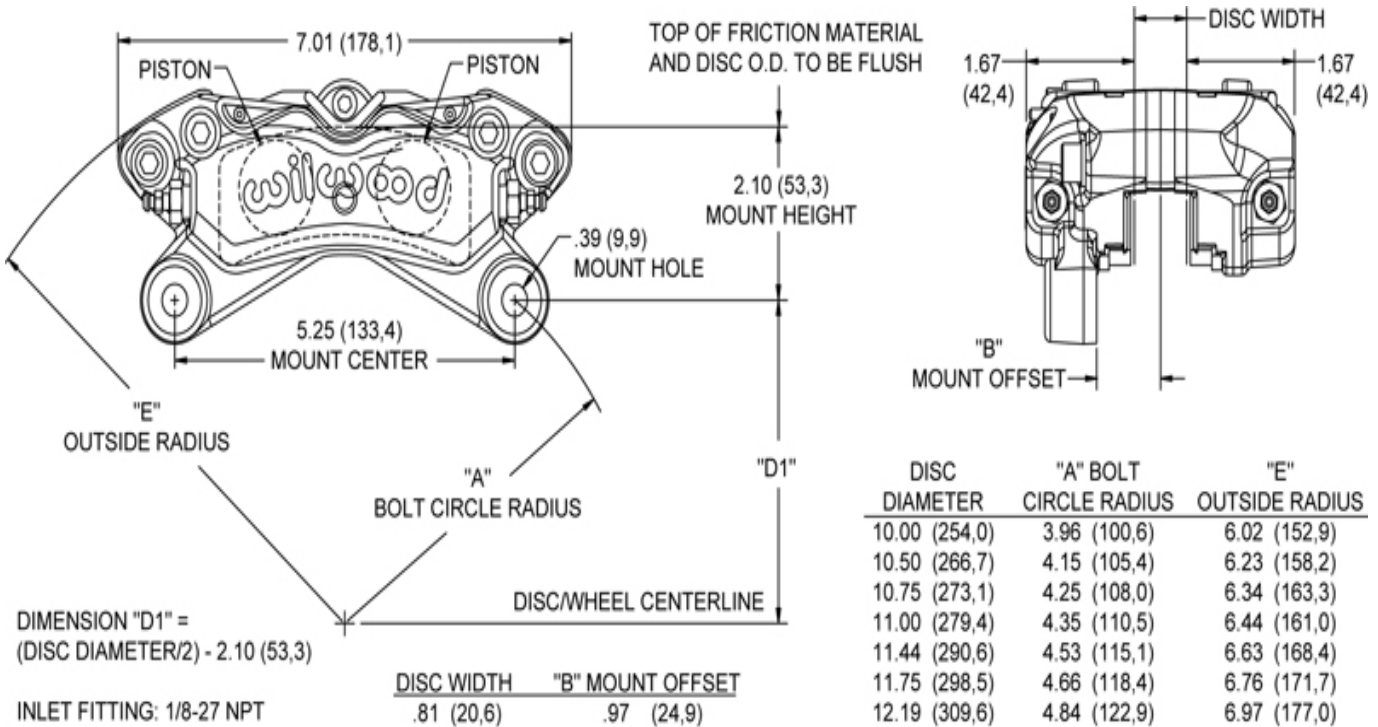
ÉTRIER :

120-10939-BK	CALPIER-D52	1,25/1,25" pistons, 1,04" disc
120-10938	CALPIER-D52	1,25/1,25" pistons, 1,28" disc
120-10937	CALPIER-D52	2,00/2,00" pistons, 1,04" disc
120-10936	CALPIER-D52	2,00/2,00" pistons, 1,28" disc

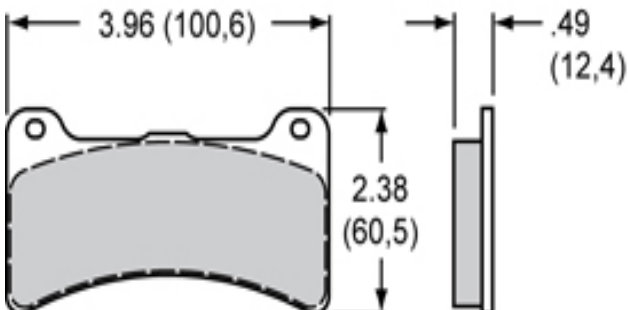
PLAQUETTE :

15A-5737K	POLYMATRIX PAD SET	D52
15B-3994K	POLYMATRIX PAD SET	D52
15E-6102K	POLYMATRIX PAD SET	D52
15H-8232K	POLYMATRIX PAD SET	D52
15Q-6830K	POLYMATRIX PAD SET	D52
150-8939K	PAD SET BP-10	D52
150-9421K	PAD SET BP-20	D52
150-14777K	PAD SET BP-30	D52
150-12249K	PAD SET BP-40	D52

FORGED DYNAPRO LUG MOUNT LOW PROFILE



DYNAPRO LOW-PROFILE CALIPER, TYPE 4812 PAD DIMENSIONS AND ORDERING INFORMATION:



AXLE SET P/N	PAD TYPE / COMPOUND
150 - 11363K	4812 10 BP-10 Smart Pad

02 28 15 12 52

WWW.OFFROADTECHNOLOGY.FR

FORGED DYNAPRO LUG MOUNT LOW PROFILE

RÉFÉRENCE

DESCRIPTION

ÉTRIER :

120-12160

CALIPER-FDP-LP, 5,25"mt

1,12" pistons, 0,81" disc

PLAQUETTE :

150-11363K

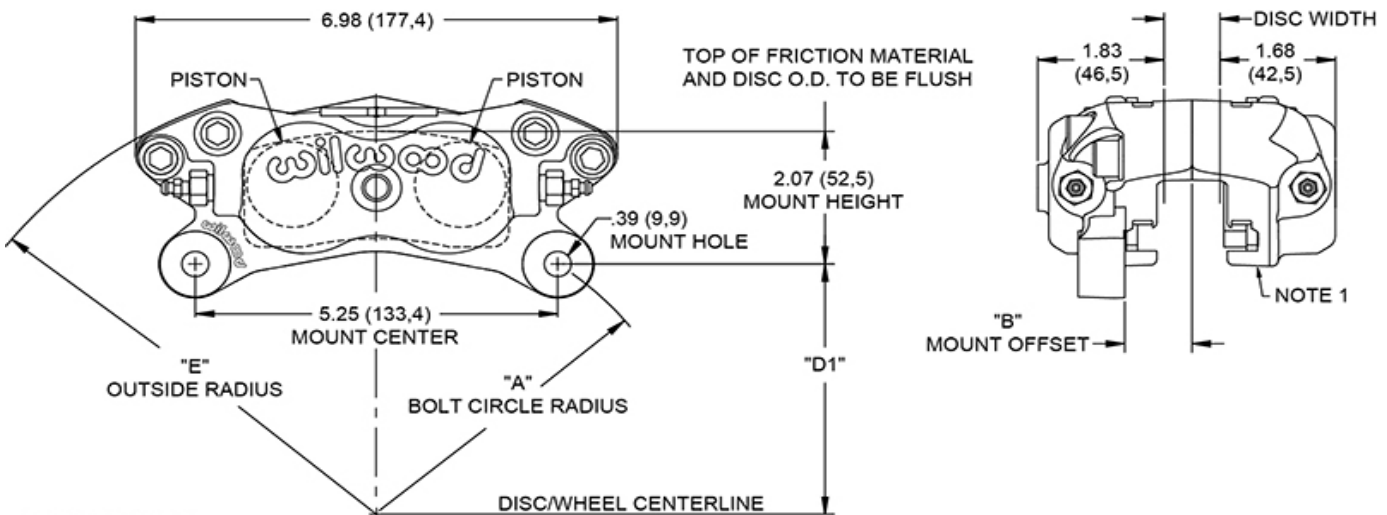
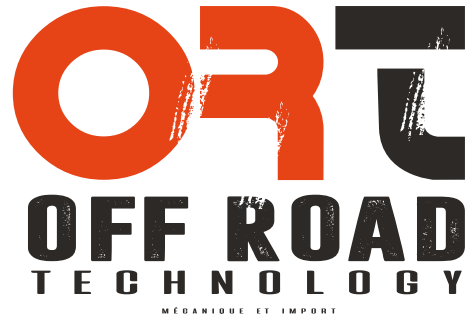
SMART PAD BP-10

4812

02 28 15 12 52

WWW.OFFROADTECHNOLOGY.FR

FORGED DYNALITE INTERNAL DUST SEAL



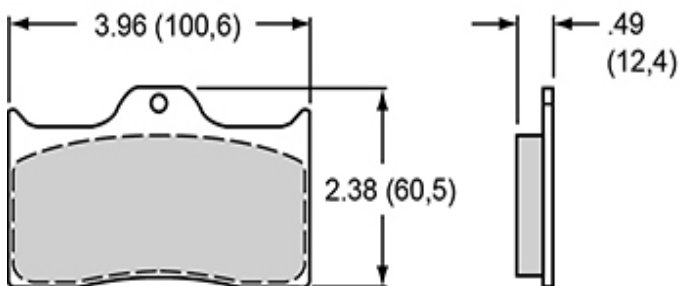
DIMENSION "D1" =
(DISC DIAMETER/2) - 2.07 (52,5)

INLET FITTING: 1/8-27 NPT

DISC WIDTH	"B" MOUNT OFFSET	DISC DIAMETER	"A" BOLT CIRCLE RADIUS	"E" OUTSIDE RADIUS
.38 (9,7)	.76 (19,3)	10.00 (254,0)	3.92 (99,6)	5.91 (150,4)
.81 (20,6)	.98 (24,9)	10.50 (266,7)	4.11 (104,4)	6.14 (155,9)
1.00 (25,4)	1.07 (27,2)	10.75 (273,1)	4.21 (106,9)	6.26 (159,0)
1.10 (27,9)	1.12 (28,4)	11.00 (279,4)	4.31 (109,5)	6.38 (162,0)
		11.44 (290,6)	4.50 (114,3)	6.58 (167,1)
		11.75 (298,5)	4.62 (117,3)	6.72 (170,7)
		12.19 (309,6)	4.81 (122,2)	6.93 (176,0)

NOTE: 1. POSSIBLE HAT INTERFERENCE DEPENDING ON APPLICATION

DYNALITE CALIPER, TYPE 7112 PAD DIMENSIONS AND ORDERING INFORMATION:



AXLE SET P/N	PAD TYPE / COMPOUND
15A - 5734K	7112 A PolyMatrix
15B - 3991K	7112 B PolyMatrix
15C - 4415K	7112 C PolyMatrix
15E - 6096K	7112 E PolyMatrix
15H - 8291K	7112 H PolyMatrix
15Q - 6824K	7112 Q PolyMatrix
150 - 8850K	7112 10 BP-10 Smart Pad
150 - 9413K	7112 20 BP-20 Smart Pad
150 - 14771K	7112 30 BP-30 Smart Pad
150 - 12243K	7112 40 BP-40 Smart Pad
150 - 8450K	7112 CM For Titanium Rotor

02 28 15 12 52

WWW.OFFROADTECHNOLOGY.FR

FORGED DYNALITE INTERNAL DUST SEAL

RÉFÉRENCE

DESCRIPTION

ÉTRIER :

120-14446-BK	CALIPER FDLI-DUST SEAL	1,38" pistons, 0,81" disc
120-14447-BK	CALIPER FDLI-DUST SEAL	1,75" pistons, 0,81" disc

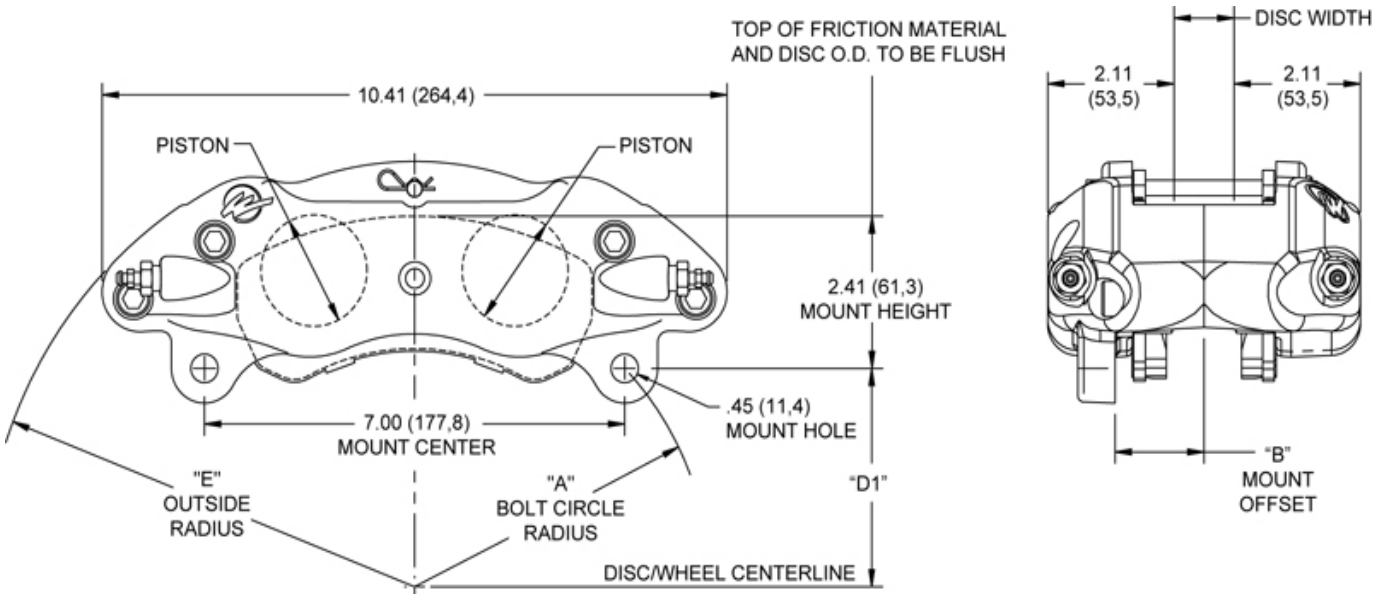
PLAQUETTE :

15A-5734K	POLYMATRIX PAD SET	7112
15B-3991K	POLYMATRIX PAD SET	7112
15E-6096K	POLYMATRIX PAD SET	7112
15H-8291K	POLYMATRIX PAD SET	7112
15Q-6824K	POLYMATRIX PAD SET	7112
150-8850K	PAD SET BP-10	7112
150-9413K	PAD SET BP-20	7112
150-14771K	PAD SET BP-30	7112
150-12243K	PAD SET BP-40	7112

02 28 15 12 52

WWW.OFFROADTECHNOLOGY.FR

GNX4/GNX5

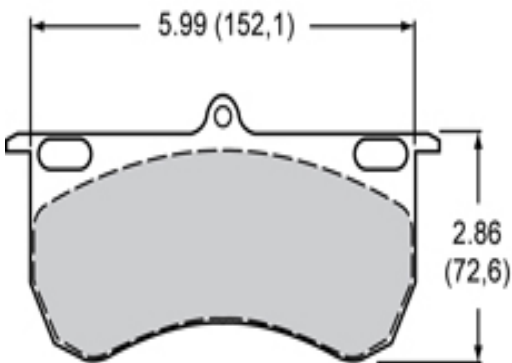


DIMENSION "D1" = (DISC DIAMETER/2) - 2.41 (61,3)
 INLET FITTING: 1/8-27 NPT

DISC DIAMETER	"A" BOLT CIRCLE RADIUS	"E" OUTSIDE RADIUS
11.75 (298,5)	4.92 (125,1)	7.19 (182,6)
12.19 (309,6)	5.08 (129,1)	7.37 (187,3)
12.90 (327,7)	5.35 (135,8)	7.68 (195,0)
13.06 (331,7)	5.41 (137,3)	7.74 (196,7)

DISC WIDTH	"B" MOUNT OFFSET
1.00 (25,4)	1.48 (37,6)

GNX4 CALIPER, TYPE 9115 PAD DIMENSIONS AND ORDERING INFORMATION:



AXLE SET P/N	PAD TYPE / COMPOUND
150 - 9841K	9115 SM Sintered Metallic

02 28 15 12 52

WWW.OFFROADTECHNOLOGY.FR

GNX4/GNX5

RÉFÉRENCE

DESCRIPTION

ÉTRIER :

120-10754

CALIPER GNX4

1,88" pistons, 1,00" disc

120-14344

CALIPER HVC5

1,88" pistons, 1,00" disc

PLAQUETTE :

150-9841K

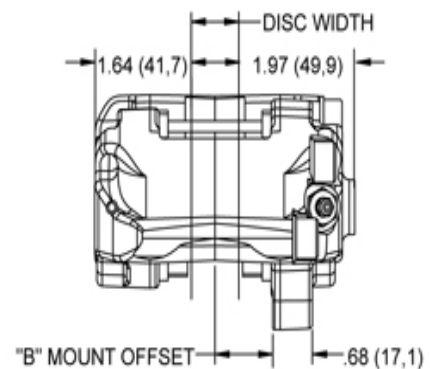
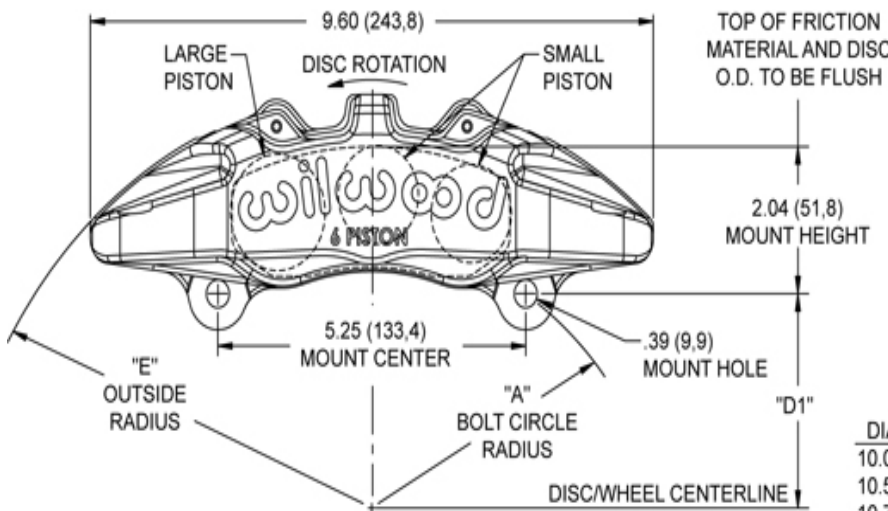
SINTERED METALLIC

9115

02 28 15 12 52

WWW.OFFROADTECHNOLOGY.FR

FORGED DYNAPRO 6A LUG MOUNT



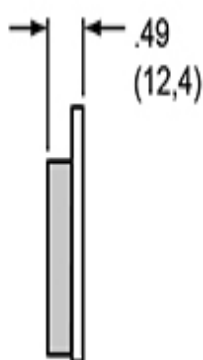
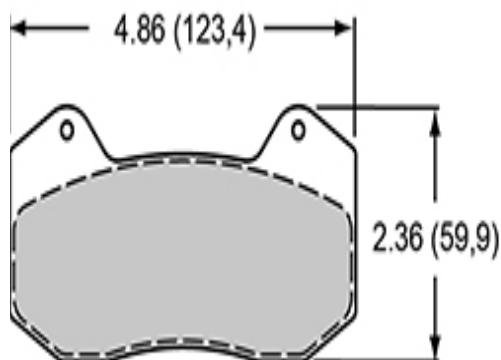
DIMENSION "D1" = (DISC DIAMETER/2) - 2.04 (51,8)

NOTE: RIGHT HAND CALIPER SHOWN.
INLET FITTING: 1/8-27 NPT

DISC WIDTH	"B" MOUNT OFFSET
.38 (9,7)	.76 (19,3)
.81 (20,6)	.98 (25,0)
1.10 (27,9)	1.13 (28,7)

DISC DIAMETER	"A" BOLT CIRCLE RADIUS	"E" OUTSIDE RADIUS
10.00 (254,0)	3.96 (100,5)	6.21 (157,7)
10.50 (266,7)	4.15 (105,3)	6.37 (161,9)
10.75 (273,1)	4.24 (107,8)	6.46 (164,0)
11.00 (279,4)	4.34 (110,3)	6.54 (166,2)
11.44 (290,5)	4.52 (114,8)	6.70 (170,1)
11.75 (298,5)	4.65 (118,0)	6.81 (172,9)
12.19 (309,6)	4.83 (122,7)	6.97 (176,9)
12.88 (327,2)	5.12 (130,1)	7.29 (185,1)
13.00 (330,2)	5.18 (131,4)	7.35 (186,6)

DYNAPRO 6 LUG CALIPER, TYPE 6712 PAD DIMENSIONS AND ORDERING INFORMATION:



AXLE SET P/N	PAD TYPE / COMPOUND
15A - 10724K	6712 A PolyMatrix
15B - 10725K	6712 B PolyMatrix
15E - 12605K	6712 E PolyMatrix
15H - 10726K	6712 H PolyMatrix
150 - 10006K	6712 10 BP-10 Smart Pad
150 - 10007K	6712 20 BP-20 Smart Pad
150 - 14780K	6712 30 BP-30 Smart Pad
150 - 12760K	6712 40 BP-40 Smart Pad

02 28 15 12 52

WWW.OFFROADTECHNOLOGY.FR

FORGED DYNAPRO 6A LUG MOUNT

RÉFÉRENCE

DESCRIPTION

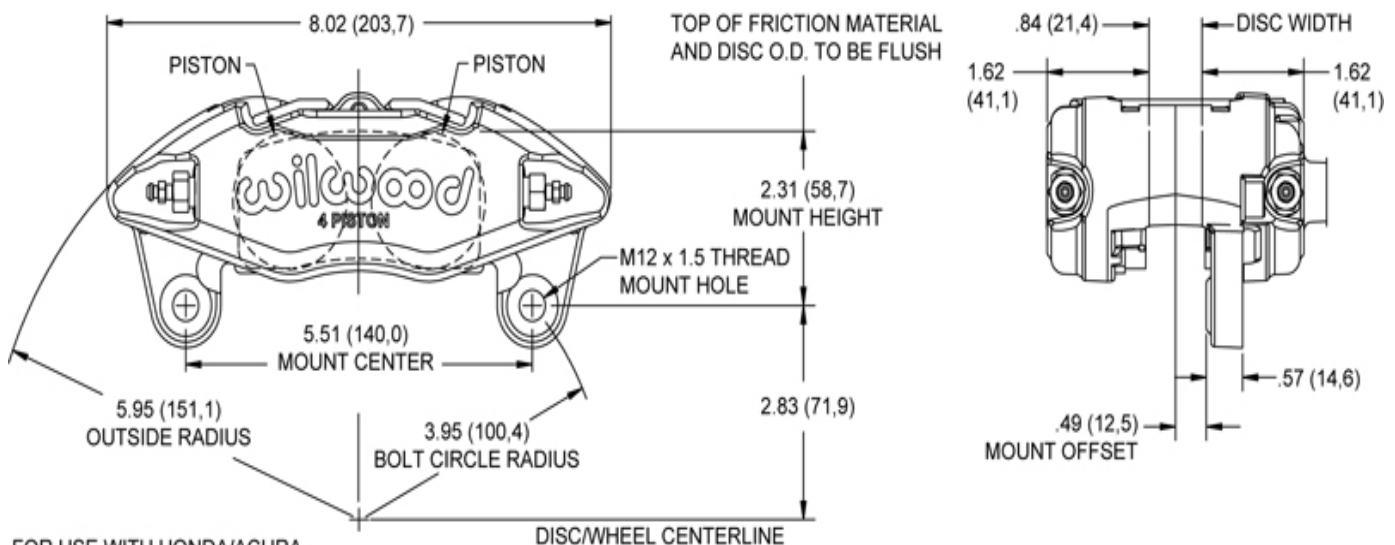
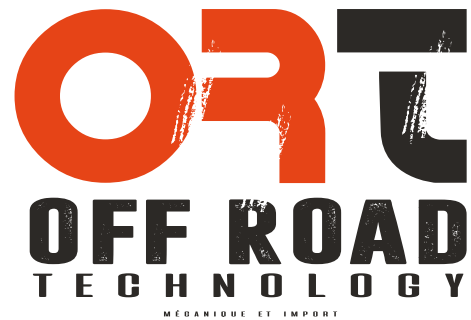
ÉTRIER :

120-13439	CALIPER FORGED DP6A, 5,25"mt.	1,38/1,00/1,00"pistons, 0,81" disc
120-13435	CALIPER FORGED DP6A, 5,25"mt.	1,62/1,12/1,12"pistons, 0,81" disc
120-13437	CALIPER FORGED DP6A, 5,25"mt.	1,62/1,12/1,12"pistons, 1,10" disc
120-13431	CALIPER FORGED DP6A, 5,25"mt.	1,62/1,38/1,38"pistons, 0,38" disc
120-13429	CALIPER FORGED DP6A, 5,25"mt.	1,62/1,38/1,38"pistons, 0,81" disc
120-13433-BK	CALIPER FORGED DP6A, 5,25"mt.	1,62/1,38/1,38"pistons, 1,10" disc
120-14024	CALIPER FORGED DP6A-ST, 5,25"mt.	1,62/1,38/1,38"pistons, 0,38" disc
120-14022	CALIPER FORGED DP6A-ST, 5,25"mt.	1,62/1,38/1,38"pistons, 0,81" disc

PLAQUETTE :

15A-10724K	POLYMATRIX PAD SET	6712
15B-10725K	POLYMATRIX PAD SET	6712
15E-12605K	POLYMATRIX PAD SET	6712
15H-10726K	POLYMATRIX PAD SET	6712
150-10006K	PAD SET BP-10	6712
150-10007K	PAD SET BP-20	6712
150-14780K	PAD SET BP-30	6712
150-12760K	PAD SET BP-40	6712

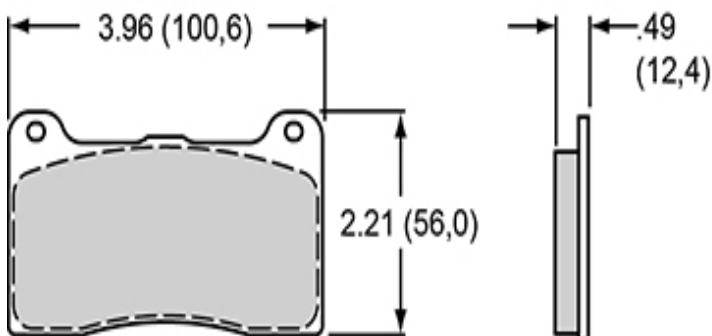
FORGED DPHA



FOR USE WITH HONDA/ACURA
262MM (10.32") DIAMETER ROTOR

INLET FITTING: M10 x 1.5

DYNAPRO LUG CALIPER, TYPE 7812 PAD DIMENSIONS AND ORDERING INFORMATION:



AXLE SET P/N	PAD TYPE / COMPOUND
15A - 9835K	7812 A PolyMatrix
15B - 9836K	7812 B PolyMatrix
15E - 9837K	7812 E PolyMatrix
15H - 10644K	7812 H PolyMatrix
15Q - 10385K	7812 Q PolyMatrix
150 - 9136K	7812 10 BP-10 Smart Pad
150 - 9418K	7812 20 BP-20 Smart Pad
150 - 14775K	7812 30 BP-30 Smart Pad
150 - 12247K	7812 40 BP-40 Smart Pad
150 - 14345K	7812 CM For Titanium Rotor

02 28 15 12 52

WWW.OFFROADTECHNOLOGY.FR

FORGED DPHA

RÉFÉRENCE

DESCRIPTION

ÉTRIER :

120-12949-BK

CALIPER DPHA

1,62" pistons, 0,83" disc

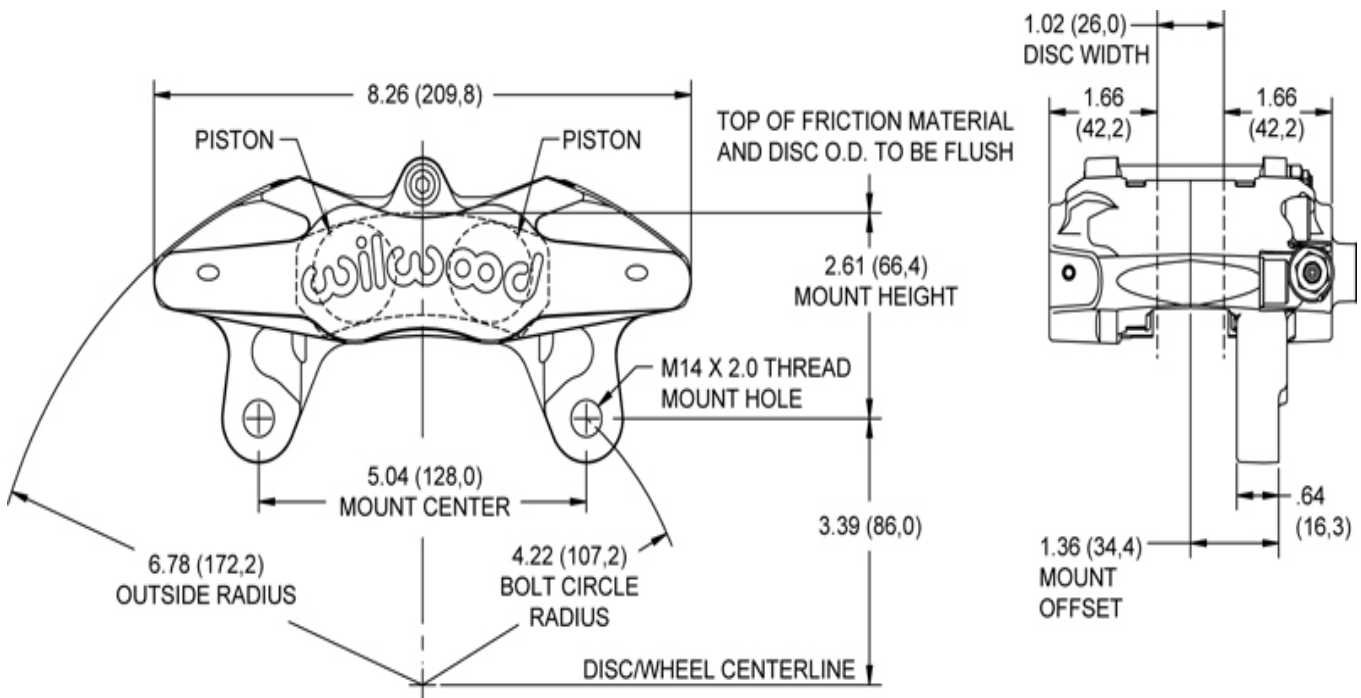
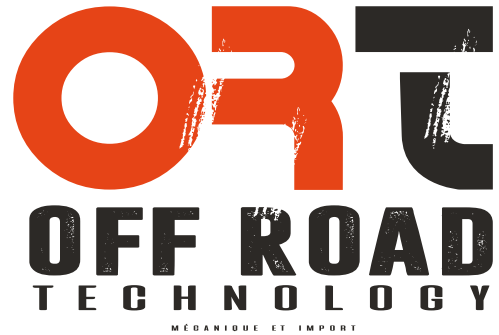
PLAQUETTE :

15A-9835K	POLYMATRIX PAD SET	7812
15B-9836K	POLYMATRIX PAD SET	7812
15E-9837K	POLYMATRIX PAD SET	7812
15H-10644K	POLYMATRIX PAD SET	7812
15Q-10385K	POLYMATRIX PAD SET	7812
150-9136K	PAD SET BP-10	7812
150-9418K	PAD SET BP-20	7812
150-14775K	PAD SET BP-30	7812
150-12247K	PAD SET BP-40	7812
150-14345K	PAD SET CM FOR TITANIUM ROTOR	7812

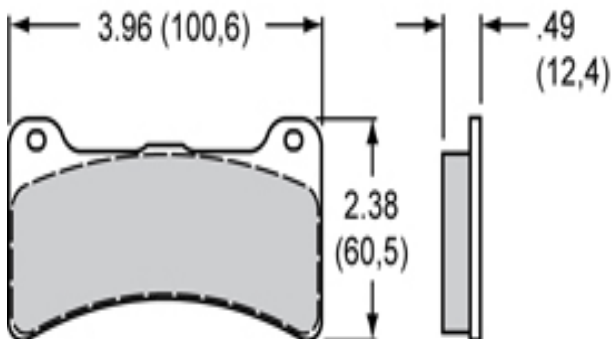
02 28 15 12 52

WWW.OFFROADTECHNOLOGY.FR

DPC56



DYNAPRO LOW-PROFILE CALIPER, TYPE 4812 PAD DIMENSIONS AND ORDERING INFORMATION:



AXLE SET P/N	PAD TYPE / COMPOUND
150 - 11363K	4812 10 BP-10 Smart Pad

02 28 15 12 52

WWW.OFFROADTECHNOLOGY.FR

DPC56

RÉFÉRENCE

DESCRIPTION

ÉTRIER :

120-13916-BK

CALIPER DPC56

1,25" piston, 1,04" disc

PLAQUETTE :

150-11363K

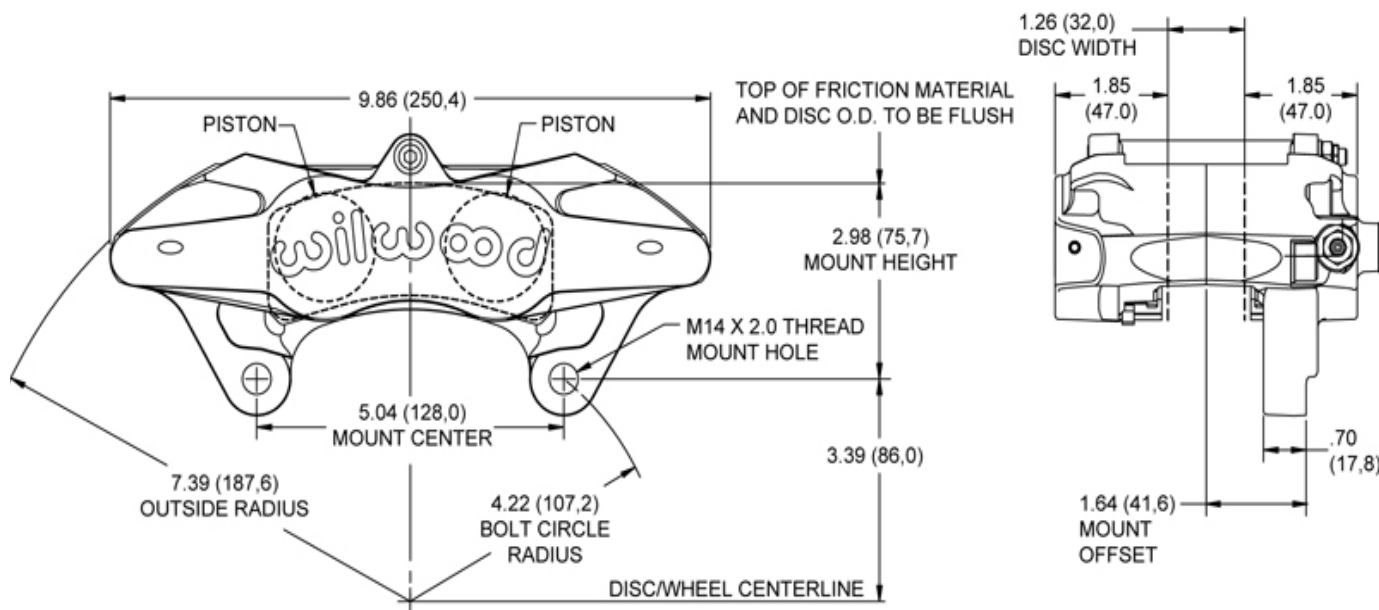
PAD SET BP-10

4812

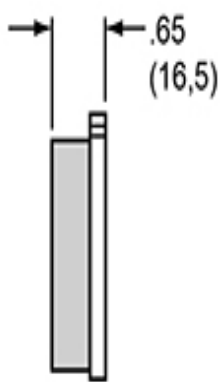
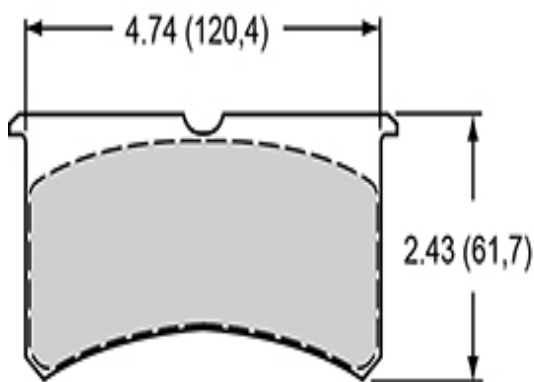
02 28 15 12 52

WWW.OFFROADTECHNOLOGY.FR

SLC56



NARROW SUPERLITE 6 CALIPER, TYPE 7416 PAD DIMENSIONS AND ORDERING INFORMATION:



AXLE SET P/N	PAD TYPE / COMPOUND
15A - 6704K	7416 A PolyMatrix
15B - 6705K	7416 B PolyMatrix
15E - 6707K	7416 E PolyMatrix
15H - 8546K	7416 H PolyMatrix
15Q - 6828K	7416 Q PolyMatrix
150 - 8855K	7416 10 BP-10 Smart Pad
150 - 9415K	7416 20 BP-20 Smart Pad
150 - 14772K	7416 30 BP-30 Smart pad
150 - 12244K	7416 40 BP-40 Smart Pad

02 28 15 12 52

WWW.OFFROADTECHNOLOGY.FR

SLC56

RÉFÉRENCE

DESCRIPTION

ÉTRIER :

120-13915-BK	CALIPER SLC56	1,62" piston, 1,25" disc
--------------	---------------	--------------------------

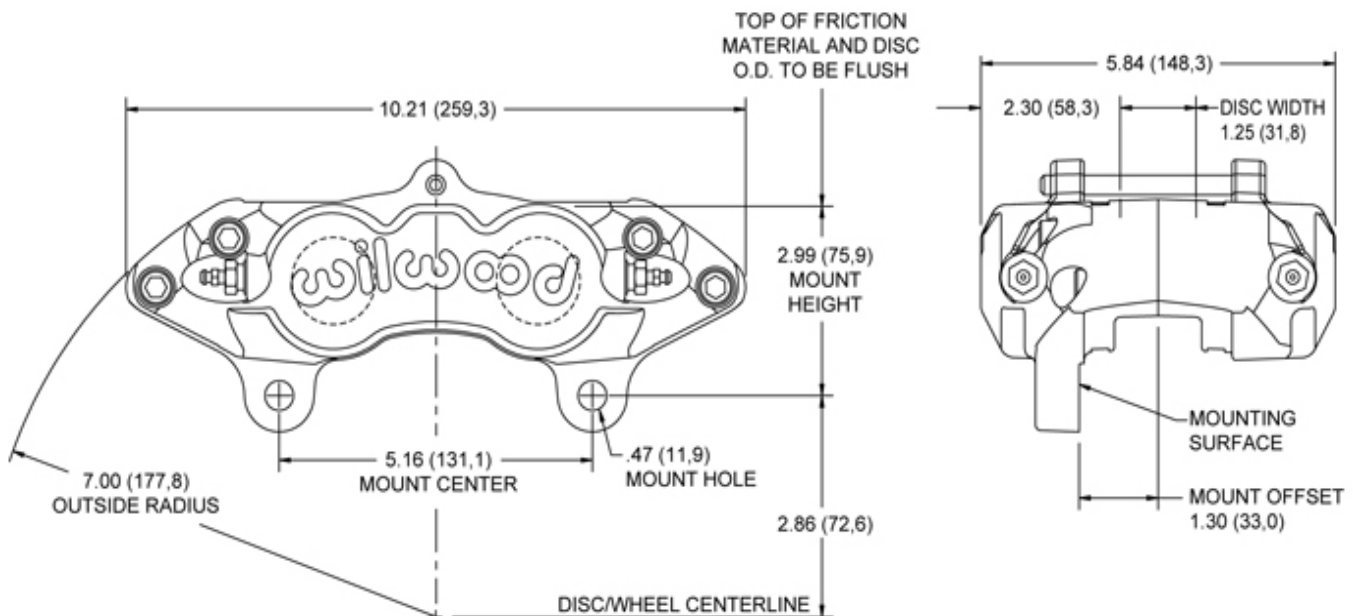
PLAQUETTE :

15A-6704K	POLYMATRIX	7416
15B-6705K	POLYMATRIX	7416
15E-6707K	POLYMATRIX	7416
15H-8546K	POLYMATRIX	7416
15Q-6828K	POLYMATRIX	7416
150-8855K	BP-10 SMART PAD	7416
150-9415K	BP-20 SMART PAD	7416
150-14772K	BP-30 SMART PAD	7416
150-12244K	BP-40 SMART PAD	7416

02 28 15 12 52

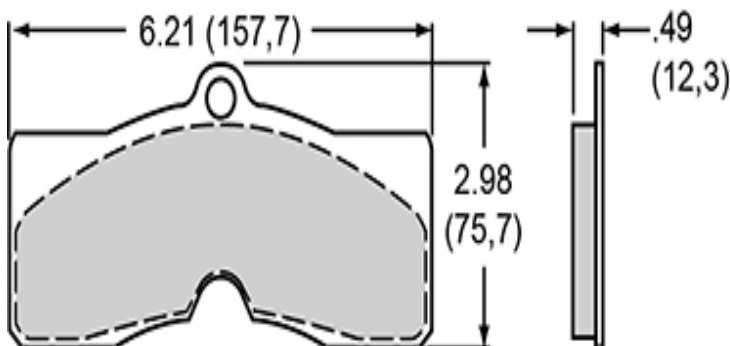
WWW.OFFROADTECHNOLOGY.FR

D8-4



NOTE: DIMENSIONS FOR USE WITH 1965-82 STOCK REAR CORVETTE ROTOR, 11.75 (298,5) X 1.25 (31,8)
 INLET FITTING: 1/8-27 NPT

D8 CALIPER, TYPE D8 PAD DIMENSIONS AND ORDERING INFORMATION:



AXLE SET P/N	PAD TYPE / COMPOUND
15H - 14366K	D8 H PolyMatrix
150 - D0008K	D8 PM ProMatrix

02 28 15 12 52

WWW.OFFROADTECHNOLOGY.FR

D8-4

RÉFÉRENCE

DESCRIPTION

ÉTRIER :

120-10526

CALIPER D8-4

1,38" pistons, 1,25" disc

120-10525

CALIPER D8-4

1,88" pistons, 1,25" disc

PLAQUETTE :

15H-14366K

POLYMATRIX PAD SET

D8H

150-D0008K

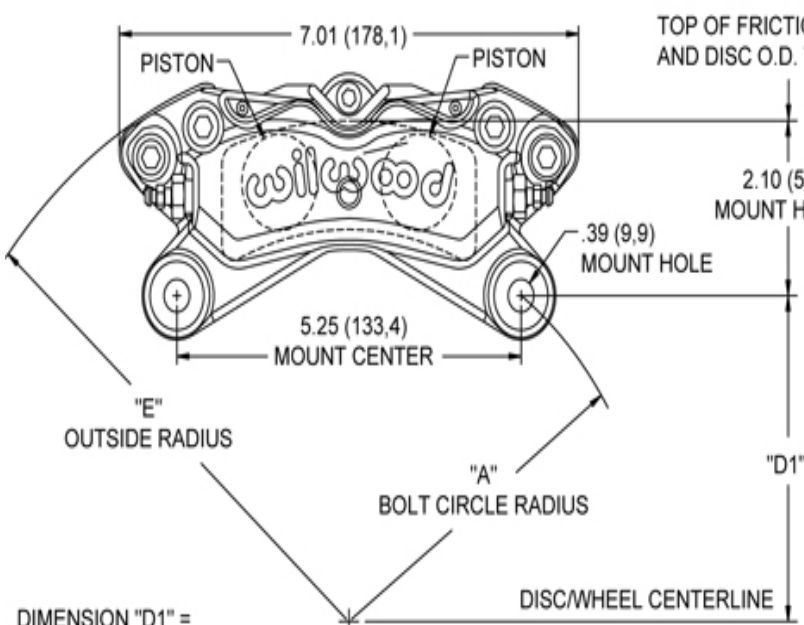
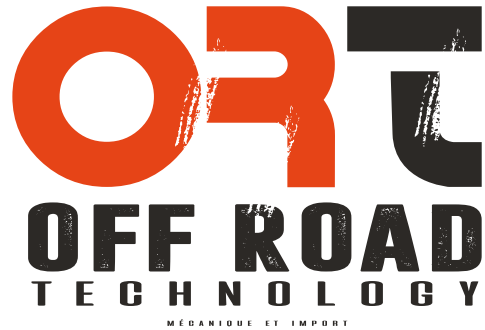
PAD SET PROMATRIX

D8

02 28 15 12 52

WWW.OFFROADTECHNOLOGY.FR

FORGED DYNAPRO LUG MOUNT LOW PROFILE DUST SEAL



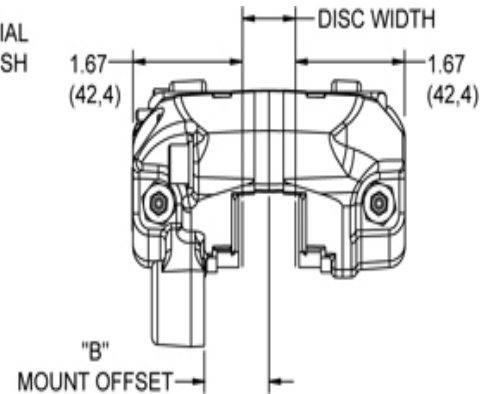
DIMENSION "D1" =
(DISC DIAMETER/2) - 2.10 (53,3)

INLET FITTING: 1/8-27 NPT

DISC WIDTH	"B" MOUNT OFFSET
.81 (20,6)	.97 (24,9)

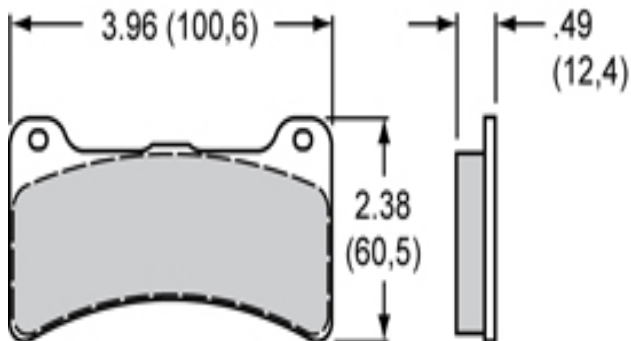
TOP OF FRICTION MATERIAL
AND DISC O.D. TO BE FLUSH

2.10 (53,3)
MOUNT HEIGHT



DISC DIAMETER	"A" BOLT CIRCLE RADIUS	"E" OUTSIDE RADIUS
10.00 (254,0)	3.96 (100,6)	6.02 (152,9)
10.50 (266,7)	4.15 (105,4)	6.23 (158,2)
10.75 (273,1)	4.25 (108,0)	6.34 (163,3)
11.00 (279,4)	4.35 (110,5)	6.44 (161,0)
11.44 (290,6)	4.53 (115,1)	6.63 (168,4)
11.75 (298,5)	4.66 (118,4)	6.76 (171,7)
12.19 (309,6)	4.84 (122,9)	6.97 (177,0)

DYNAPRO LOW-PROFILE CALIPER, TYPE 4812 PAD DIMENSIONS AND ORDERING INFORMATION:



AXLE SET P/N	PAD TYPE / COMPOUND
150 - 11363K	4812 10 BP-10 Smart Pad

02 28 15 12 52

WWW.OFFROADTECHNOLOGY.FR

FORGED DYNAPRO LUG MOUNT LOW PROFILE DUST SEAL

RÉFÉRENCE

DESCRIPTION

ÉTRIER :

120-15585

CALIPER FDLI DS

1,12" pistons, 0,810" disc

PLAQUETTE :

150-11363K

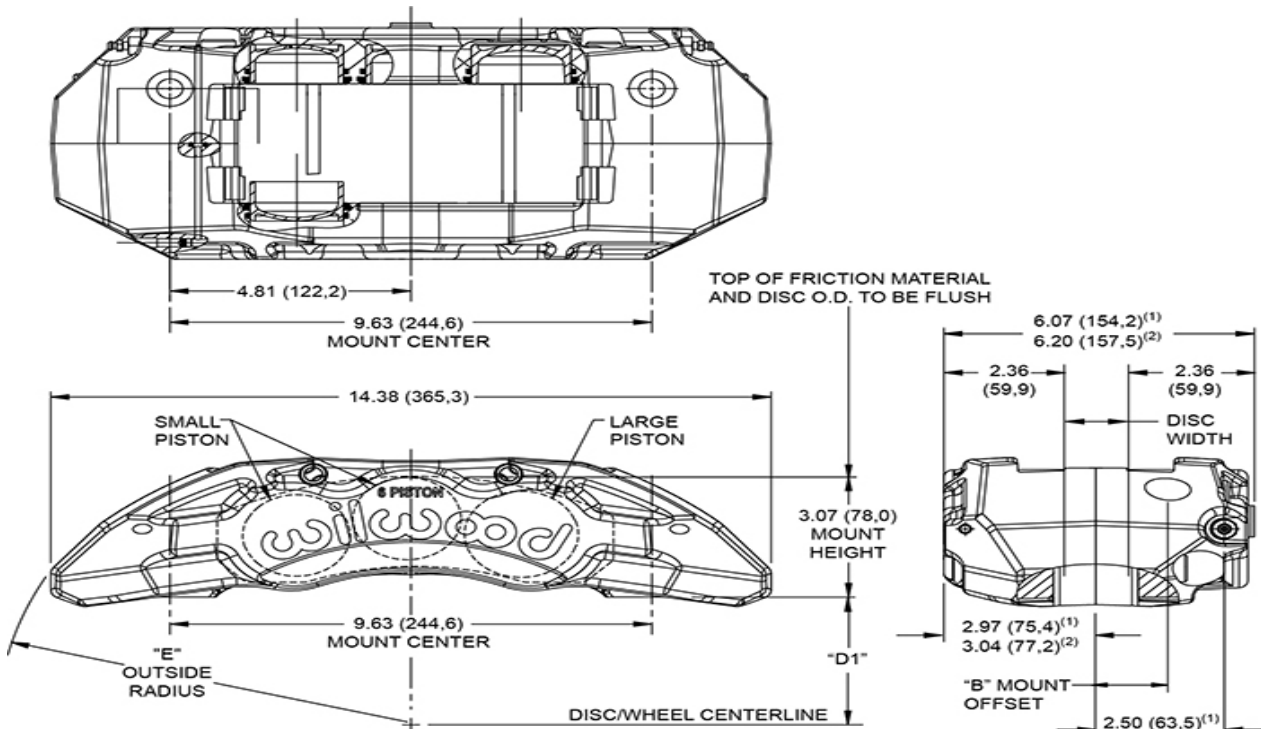
PAD SET BP-10

4812

02 28 15 12 52

WWW.OFFROADTECHNOLOGY.FR

TX6R FORGED RADIAL MOUNT

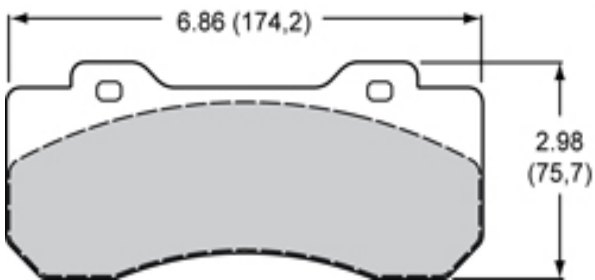


DIMENSION "D1" = (DISC DIAMETER/2) - 3.07 (78,0)
 NOTE: RIGHT HAND CALIPER SHOWN
 INLET FITTING: 1/8-27 NPT
 (1) DIMENSION FOR 1.38 (35,1) THICK ROTOR
 (2) DIMENSION FOR 1.50 (38,1) THICK ROTOR

DISC WIDTH	"B" MOUNT OFFSET
1.38 (35,1)	1.38 (35,1)
1.50 (38,1)	1.44 (36,6)

DISC DIAMETER	"E" OUTSIDE RADIUS
14.25 (362,0)	8.61 (218,7)
15.00 (381,0)	8.87 (225,3)
16.00 (406,4)	9.25 (234,9)

TX6R CALIPER, TYPE 10120 PAD DIMENSIONS AND ORDERING INFORMATION:



AXLE SET P/N	PAD TYPE / COMPOUND
150 - 13773K	10120 -20 BP-20 Smart Pad

02 28 15 12 52

WWW.OFFROADTECHNOLOGY.FR

TX6R FORGED RADIAL MOUNT

RÉFÉRENCE

DESCRIPTION

ÉTRIER :

120-14600	CALIPER TX6R	1,62/1,38/1,38" pistons, 1,38" disc
120-13818	CALIPER TX6R	1,75/1,62/1,62" pistons, 1,38" disc
120-13816	CALIPER TX6R	2,00/1,88/1,88" pistons, 1,38" disc
120-13814	CALIPER TX6R	2,00/1,88/1,88" pistons, 1,50" disc

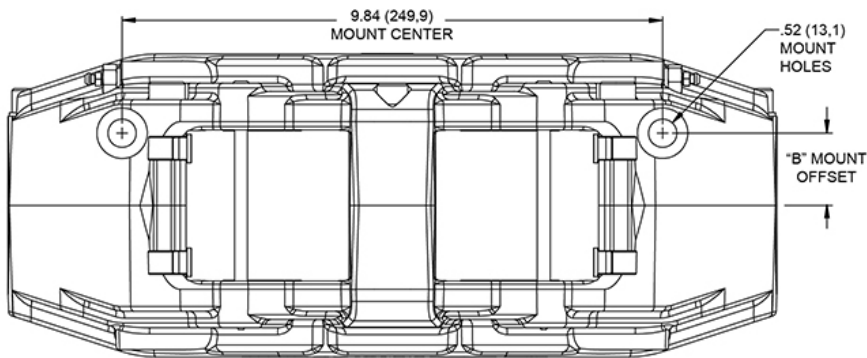
PLAQUETTE :

150-13773K	PAD SET BP-20 CM	10120-20
------------	------------------	----------

02 28 15 12 52

WWW.OFFROADTECHNOLOGY.FR

SX6R



"B"	
DISC WIDTH	MOUNT OFFSET
1.25 (31,8)	1.32 (33,5)

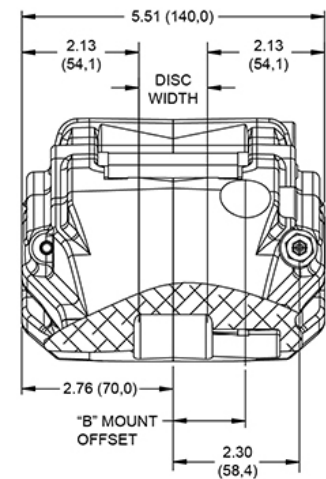
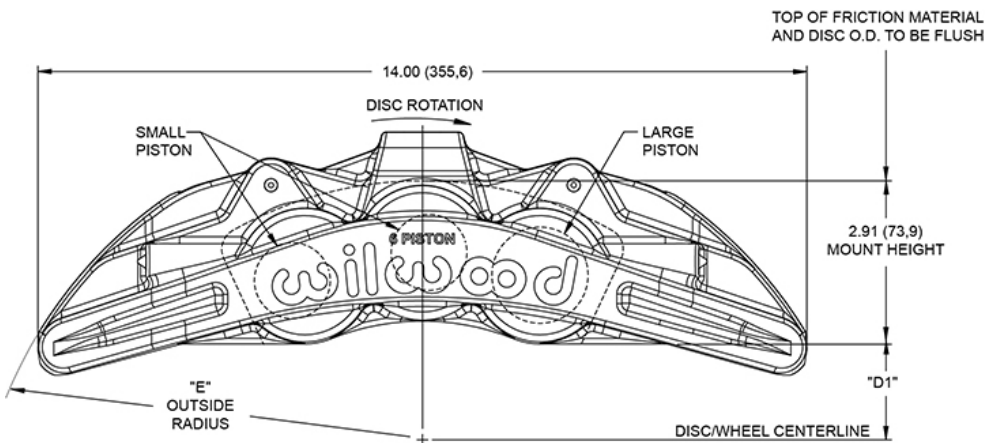
DISC		"E"	
DIAMETER	OUTSIDE RADIUS	DISC DIAMETER	OUTSIDE RADIUS
14.00 (355,6)	8.18 (207,8)	14.00 (355,6)	8.18 (207,8)
15.00 (381,0)	8.68 (220,5)	15.00 (381,0)	8.68 (220,5)

DIMENSION "D1" = (DISC DIAMETER/2) - 2.91 (73,9)

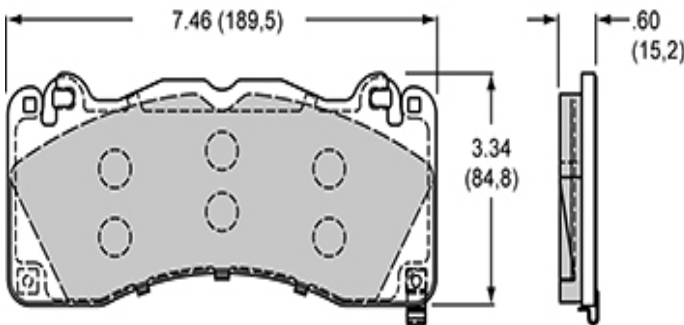
INLET FITTING: 1/8-27 NPT

RADIAL MOUNT BRACKETS ARE AVAILABLE

DIMENSIONS ARE SHOWN FOR 1.25 (31,8) THICK ROTOR



SX6R CALIPER, TYPE D1792 PAD DIMENSIONS AND ORDERING INFORMATION:



AXLE SET P/N	PAD TYPE / COMPOUND
150 - 14897K	D1792 10 BP-10 Smart Pad
150 - 14939K	D1792 PCM
150 - D1792K	D1792 ProMatrix

02 28 15 12 52

WWW.OFFROADTECHNOLOGY.FR

SX6R

RÉFÉRENCE

DESCRIPTION

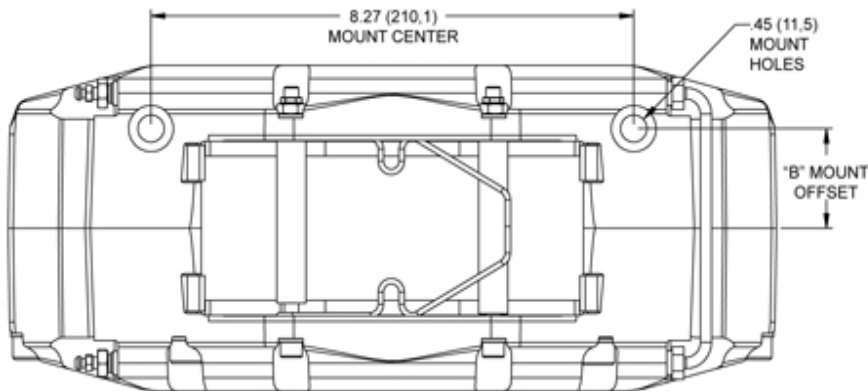
ÉTRIER :

120-14863-BK	CALIPER SX6R	1,62/1,12/1,12" pistons, 1,25" disc
120-14861-BK	CALIPER SX6R	1,75/1,38/1,38" pistons, 1,25" disc

PLAQUETTE :

150-14897K	PAD SET BP-10	D1792
150-14939K	PAD SET PCM	D1792
150-D1792K	PAD SET PROMATRIX	D1792

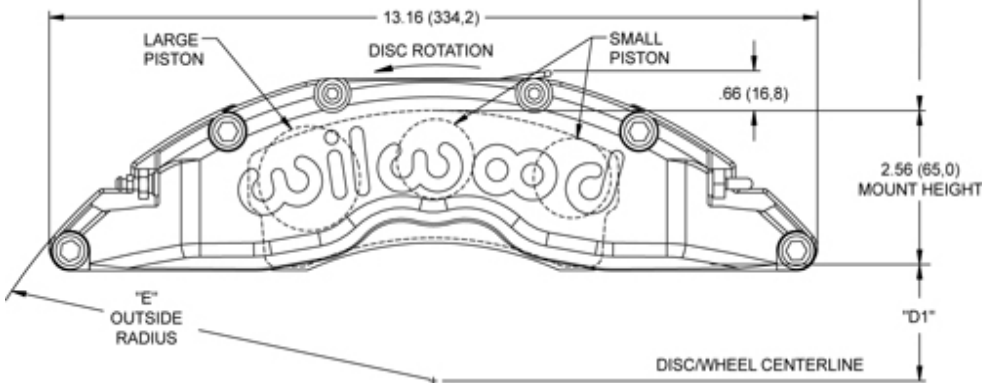
TC6



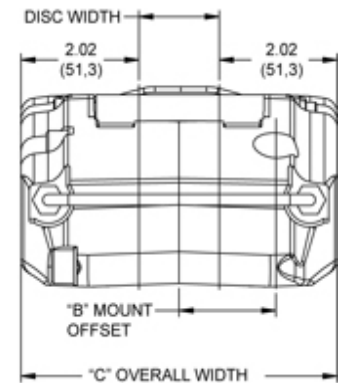
DISC WIDTH	"B" MOUNT OFFSET	"C" OVERALL WIDTH
1.25 (31,8)	1.59 (40,3)	5.29 (134,4)
1.38 (34,9)	1.65 (41,9)	5.41 (137,4)

DISC DIAMETER	"E" OUTSIDE RADIUS
14.00 (355,6)	8.14 (206,8)
16.00 (406,4)	8.85 (224,8)

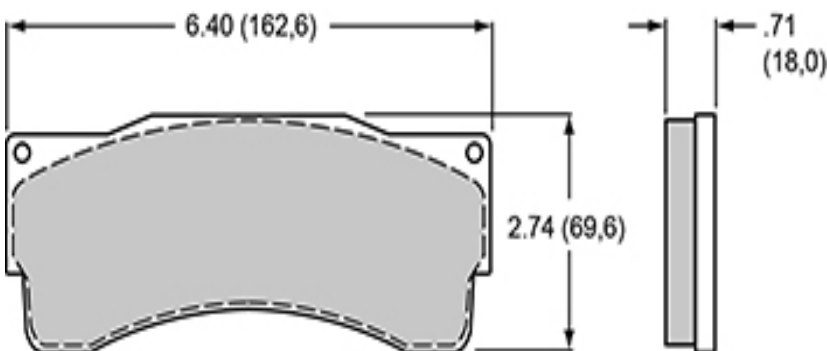
DIMENSION "D1" = (DISC DIAMETER/2) - 2.56 (65,0)
 NOTE: RIGHT HAND REAR MOUNT CALIPER SHOWN
 INLET FITTING: 1/8-27 NPT
 RADIAL MOUNT BRACKETS ARE AVAILABLE



TOP OF FRICTION MATERIAL AND DISC O.D. TO BE FLUSH



TC 6R CALIPER, TYPE 6318 PAD DIMENSIONS AND ORDERING INFORMATION:



AXLE SET PIN	PAD TYPE / COMPOUND
150 - 9118K	6318 10 BP-10 Smart Pad
150 - 9411K	6318 20 BP-20 Smart Pad

02 28 15 12 52

WWW.OFFROADTECHNOLOGY.FR

TC6

RÉFÉRENCE

DESCRIPTION

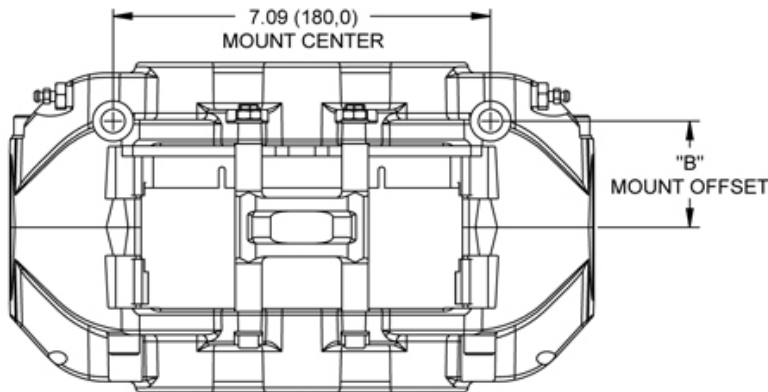
ÉTRIER :

120-14318-FS	CALIPER TC6R	1,75/1,38/1,38" pistons, 1,38" disc
120-14318-RS	CALIPER TC6R	1,75/1,38/1,38" pistons, 1,38" disc
120-14320-FS	CALIPER TC6R	1,88/1,62/1,62" pistons, 1,38" disc
120-14320-RS	CALIPER TC6R	1,88/1,62/1,62" pistons, 1,38" disc

PLAQUETTE :

150-9118K	PAD SET BP-10	6318
150-9411K	PAD SET BP-20	6318

GRAND NATIONAL GN6R

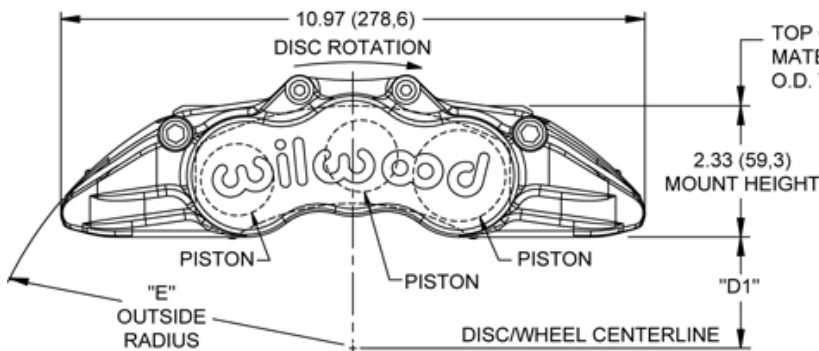


DISC WIDTH	"B" MOUNT OFFSET
1.25 (31,8)	2.02 (51,4) ¹
1.38 (35,1)	2.02 (51,4) ¹
1.25 (31,8)	2.22 (56,5) ²
1.38 (35,1)	2.22 (56,5) ²

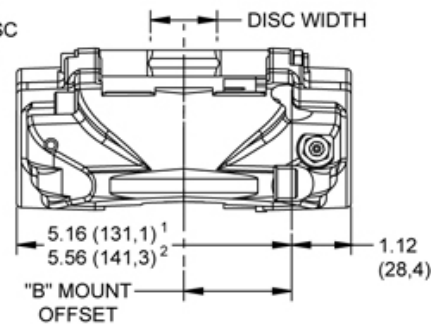
DISC DIAMETER	"E" OUTSIDE RADIUS
12.19 (309,6)	6.97 (177,0)
12.88 (327,1)	7.21 (183,1)
13.06 (330,7)	7.28 (184,9)

NOTES: (1) CALIPER WITH .80 (20,3) THICK PADS
(2) CALIPER WITH .99 (25,0) THICK PADS

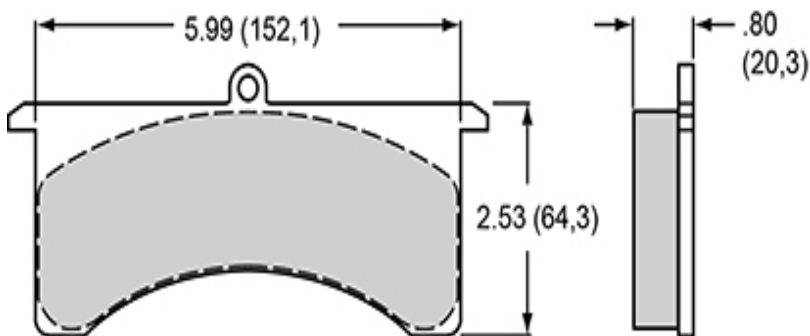
DIMENSION "D1" = (DISC DIAMETER/2) - 2.33 (59,3)
RIGHT HAND CALIPER SHOWN
INLET FITTING: 1/8-27 NPT



TOP OF FRICTION MATERIAL AND DISC O.D. TO BE FLUSH



GRAND NATIONAL CALIPER, TYPE 7520 PAD DIMENSIONS AND ORDERING INFORMATION:



AXLE SET P/N	PAD TYPE / COMPOUND
15A - 5736K	7520 A PolyMatrix
15B - 3993K	7520 B PolyMatrix
15E - 6101K	7520 E PolyMatrix
15Q - 6879K	7520 Q PolyMatrix
150 - 9417K	7520 20 BP-20 Smart Pad
150 - 14774K	7520 30 BP-30 Smart Pad
150 - 12246K	7520 40 BP-40 Smart Pad

02 28 15 12 52

WWW.OFFROADTECHNOLOGY.FR

GRAND NATIONAL GN6R

RÉFÉRENCE

DESCRIPTION

ÉTRIER :

120-13947	CALIPER GN6R	1,75/1,38/1,38" pistons, 1,38" disc
120-15779	CALIPER GN6R	1,75/1,38/1,38" pistons, 1,30" disc
120-13949	CALIPER GN6R	1,75/1,38/1,38" pistons, 1,38" disc

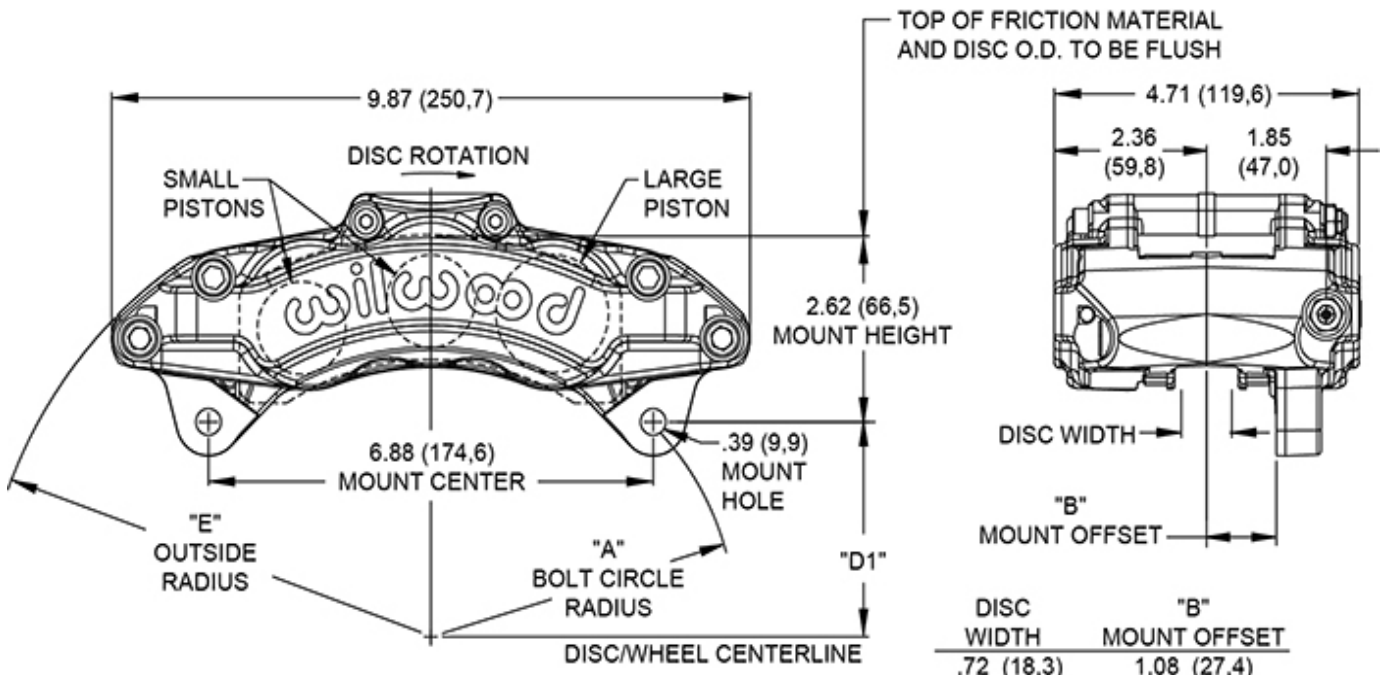
PLAQUETTE :

15A-5736K	POLYMATRIX PADSET	7520
15B-3993K	POLYMATRIX PADSET	7520
15E-6101K	POLYMATRIX PADSET	7520
150-9417K	PAD SET BP-20	7520
150-14774K	PAD SET BP-30	7520
150-12246K	PAD SET BP-40	7520

02 28 15 12 52

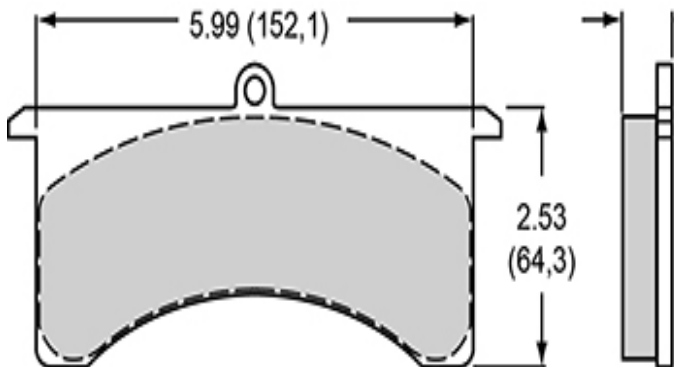
WWW.OFFROADTECHNOLOGY.FR

AT6 LUG MOUNT



DIMENSION "D1" = (DISC DIAMETER/2) - 2.62 (66,5)
 RIGHT HAND, FRONT MOUNT CALIPER SHOWN
 INLET FITTING: 1/8-27 NPT

DISC DIAMETER	"A" BOLT CIRCLE RADIUS	"E" OUTSIDE RADIUS
12.30 (312,3)	4.89 (124,1)	6.99 (177,6)



AXLE SET P/N	PAD TYPE / COMPOUND
150 - 9605K	7516 20 BP-20 Smart Pad
15E - 10228K	7516 E PolyMatrix

AT6 LUG MOUNT

RÉFÉRENCE

DESCRIPTION

ÉTRIER :

120-14851-BK	CALIPER AT6	1,75/1,38/1,38" pistons, 0,75" disc
120-14851	CALIPER AT6	1,75/1,38/1,38" pistons, 0,75" disc

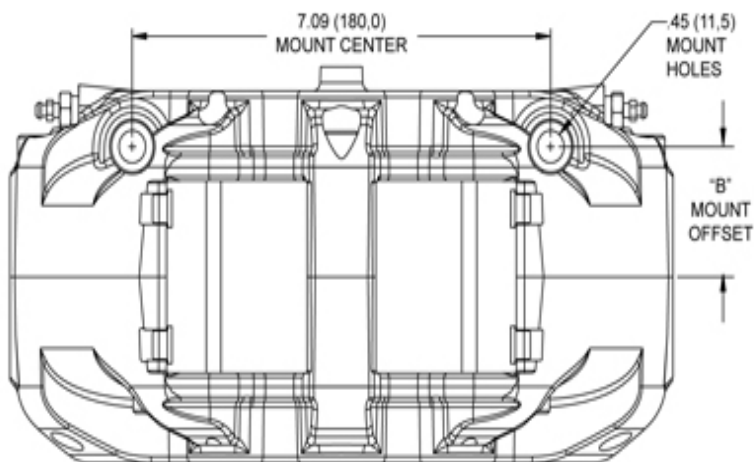
PLAQUETTE :

150-9605K	PAD SET BP-20	7516
15E-10228K	POLYMATRIX PAD SET	7516

02 28 15 12 52

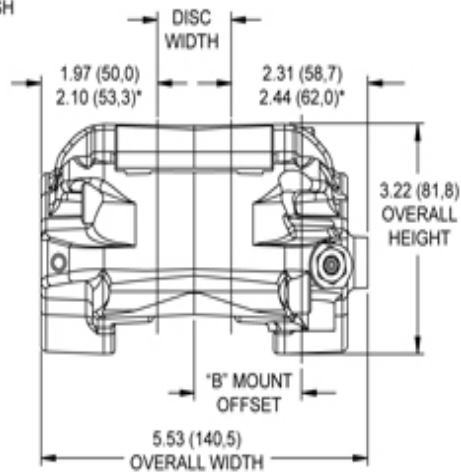
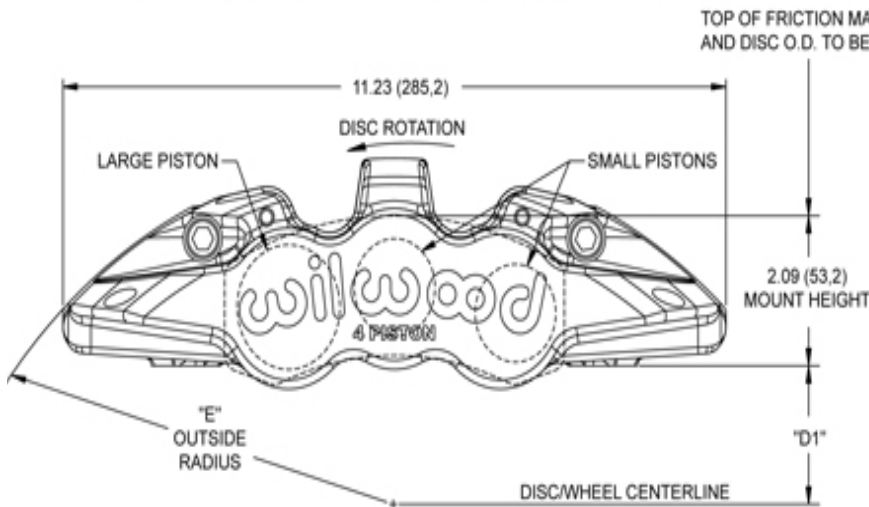
WWW.OFFROADTECHNOLOGY.FR

AERO6

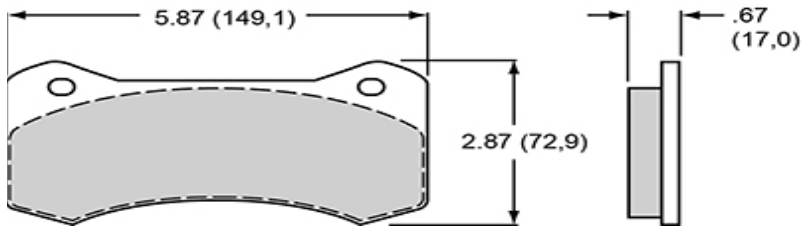


DISC WIDTH	"B" MOUNT OFFSET	DISC DIAMETER	"E" OUTSIDE RADIUS
1.10 (27,9)	1.74 (44,9)	12.19 (309,5)	7.37 (187,3)
1.25 (31,8)	1.82 (46,2)	12.72 (323,1)	7.55 (191,7)
1.25 (31,8)*	1.95 (49,5)*	12.88 (327,2)	7.60 (193,1)
		13.00 (330,2)	7.64 (194,1)
		13.06 (331,7)	7.67 (194,7)
		14.00 (355,6)	8.00 (203,1)
		14.25 (362,0)	8.09 (205,3)
		14.75 (374,7)	8.27 (210,0)
		15.00 (381,0)	8.36 (212,4)

DIMENSION "D1" = (DISC DIAMETER/2) - 2.09 (53,1)
 INLET FITTING: 1/8-27 NPT
 RADIAL MOUNT BRACKETS ARE AVAILABLE
 *AEROLITE 6R/ST MODELS WITH .80" THICK PADS



AEROLITE 4/6 CALIPER, TYPE 6617 PAD DIMENSIONS AND ORDERING INFORMATION:



AXLE SET P/N	PAD TYPE / COMPOUND
15A - 9977K	6617 A PolyMatrix
15B - 9978K	6617 B PolyMatrix
15H - 9979K	6617 H PolyMatrix
150 - 9488K	6617 10 BP-10 Smart Pad
150 - 9489K	6617 20 BP-20 Smart Pad
150 - 14779K	6617 30 BP-30 Smart Pad
150 - 12251K	6617 40 BP-40 Smart Pad

02 28 15 12 52

WWW.OFFROADTECHNOLOGY.FR

AERO6

RÉFÉRENCE

DESCRIPTION

ÉTRIER :

120-13290-BK	CALIPER AERO6	1,62/1,12/1,12" pistons, 1,25" disc
120-13292	CALIPER AERO6	1,62/1,12/1,12" pistons, 1,25" disc
120-15769	CALIPER AERO6	1,62/1,12/1,12" pistons, 1,25" disc
120-13300	CALIPER AERO6	1,62/1,12/1,12" pistons, 1,25" disc
120-13294-BK	CALIPER AERO6	1,75/1,38/1,38" pistons, 1,25" disc
120-13296	CALIPER AERO6	1,75/1,38/1,38" pistons, 1,25" disc
120-13302-N	CALIPER AERO6	1,75/1,38/1,38" pistons, 1,25" disc

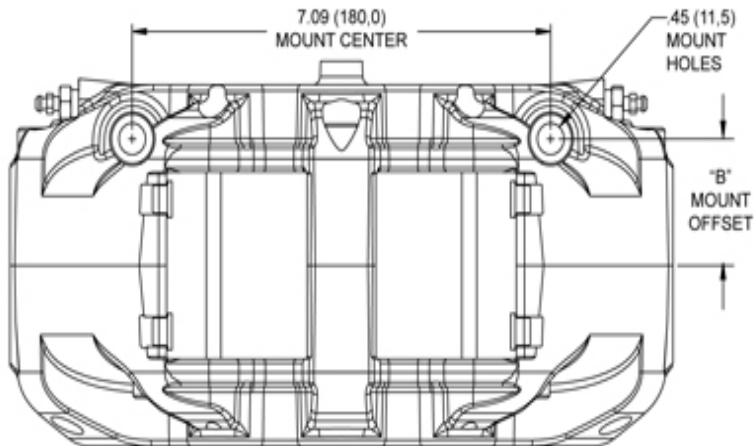
PLAQUETTE :

15A-9977K	POLYMATRIX PAD SET	6617
15B-9978K	POLYMATRIX PAD SET	6617
15H-9979K	POLYMATRIX PAD SET	6617
150-9488K	PAD SET BP-10	6617
150-9489K	PAD SET BP-20	6617
150-14779K	PAD SET BP-30	6617
150-12251K	PAD SET BP-40	6617

AERO6 DUST SEAL

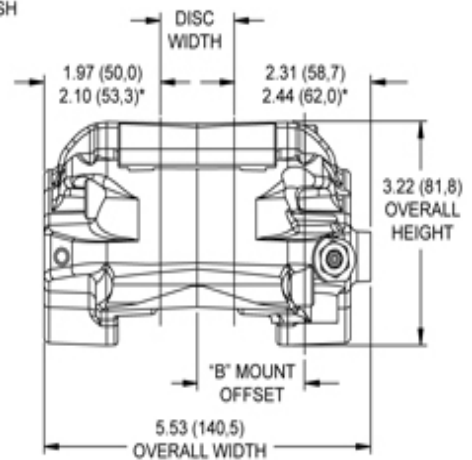
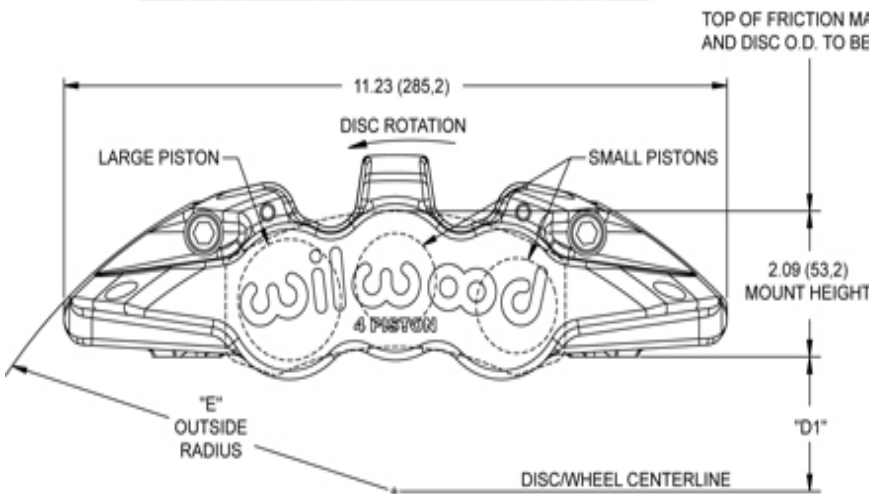


MÉCANIQUE ET IMPORT

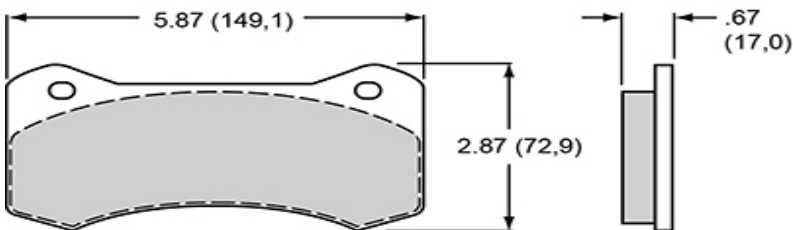


DISC WIDTH	"B" MOUNT OFFSET	DISC DIAMETER	"E" OUTSIDE RADIUS
1.10 (27,9)	1.74 (44,9)	12.19 (309,5)	7.37 (187,3)
1.25 (31,8)	1.82 (46,2)	12.72 (323,1)	7.55 (191,7)
1.25 (31,8)*	1.95 (49,5)*	12.88 (327,2)	7.60 (193,1)
		13.00 (330,2)	7.64 (194,1)
		13.06 (331,7)	7.67 (194,7)
		14.00 (355,6)	8.00 (203,1)
		14.25 (362,0)	8.09 (205,3)
		14.75 (374,7)	8.27 (210,0)
		15.00 (381,0)	8.36 (212,4)

DIMENSION "D1" = (DISC DIAMETER/2) - 2.09 (53,1)
 INLET FITTING: 1/8-27 NPT
 RADIAL MOUNT BRACKETS ARE AVAILABLE
 *AEROLITE 6R/ST MODELS WITH .80" THICK PADS



AEROLITE 4/6 CALIPER, TYPE 6617 PAD DIMENSIONS AND ORDERING INFORMATION:



AXLE SET P/N	PAD TYPE / COMPOUND
15A - 9977K	6617 A PolyMatrix
15B - 9978K	6617 B PolyMatrix
15H - 9979K	6617 H PolyMatrix
150 - 9488K	6617 10 BP-10 Smart Pad
150 - 9489K	6617 20 BP-20 Smart Pad
150 - 14779K	6617 30 BP-30 Smart Pad
150 - 12251K	6617 40 BP-40 Smart Pad

02 28 15 12 52

WWW.OFFROADTECHNOLOGY.FR

AERO6 DUST SEAL

RÉFÉRENCE

DESCRIPTION

ÉTRIER :

120-14443-BK	CALIPER AERO6 DS	1,62/1,12/1,12" pistons, 1,25" disc
120-14445-BK	CALIPER AERO6 DS	1,75/1,38/1,38" pistons, 1,25" disc
120-15527	CALIPER AERO6 DS	1,75/1,62/1,62" pistons, 1,25" disc

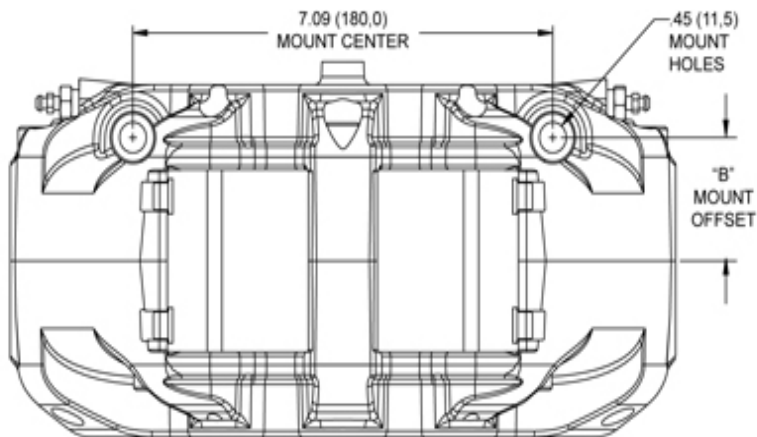
PLAQUETTE :

15A-9977K	POLYMATRIX PAD SET	6617
15B-9978K	POLYMATRIX PAD SET	6617
15H-9979K	POLYMATRIX PAD SET	6617
150-9488K	PAD SET BP-10	6617
150-9489K	PAD SET BP-20	6617
150-14779K	PAD SET BP-30	6617
150-12251K	PAD SET BP-40	6617

02 28 15 12 52

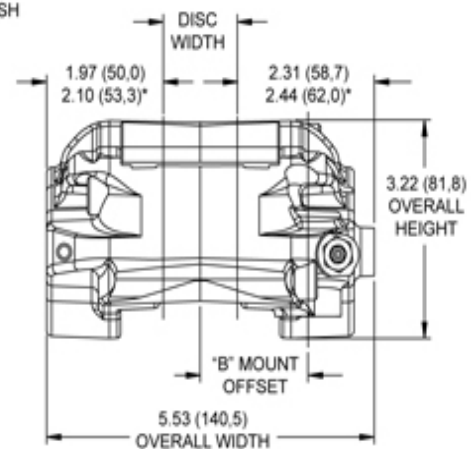
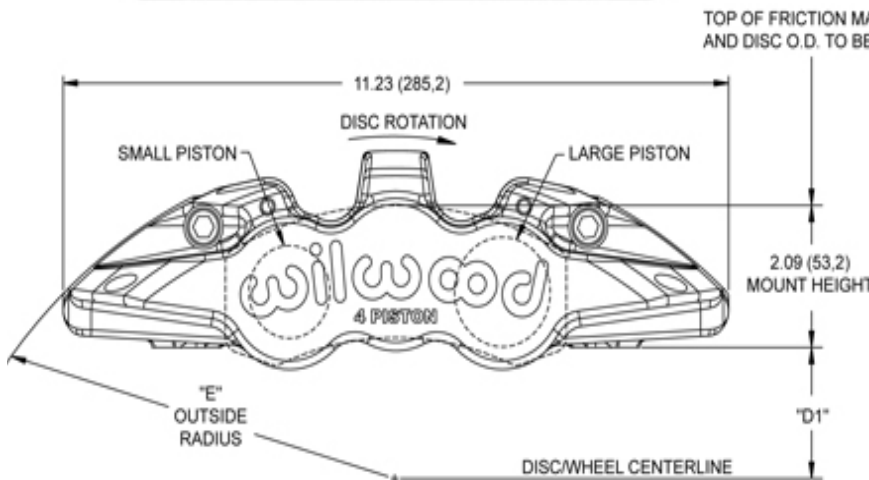
WWW.OFFROADTECHNOLOGY.FR

AERO4

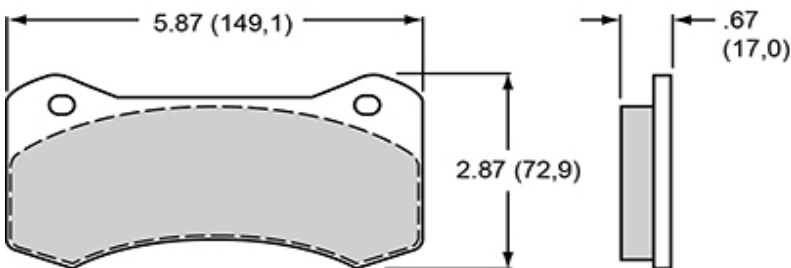


DISC WIDTH	"B" MOUNT OFFSET	DISC DIAMETER	"E" OUTSIDE RADIUS
1.10 (27,9)	1.74 (44,9)	12.19 (309,5)	7.37 (187,3)
1.25 (31,8)	1.82 (46,2)	12.72 (323,1)	7.55 (191,7)
1.25 (31,8)*	1.95 (49,5)*	12.88 (327,2)	7.60 (193,1)
		13.00 (330,2)	7.64 (194,1)
		13.06 (331,7)	7.67 (194,7)
		14.00 (355,6)	8.00 (203,1)
		14.25 (362,0)	8.09 (205,3)
		14.75 (374,7)	8.27 (210,0)
		15.00 (381,0)	8.36 (212,4)

DIMENSION "D1" = (DISC DIAMETER/2) - 2.09 (53,1)
 INLET FITTING: 1/8-27 NPT
 RADIAL MOUNT BRACKETS ARE AVAILABLE
 *AEROLITE 4R/ST MODELS WITH .80" THICK PADS



AEROLITE 4/6 CALIPER, TYPE 6617 PAD DIMENSIONS AND ORDERING INFORMATION:



AXLE SET P/N	PAD TYPE / COMPOUND
15A - 9977K	6617 A PolyMatrix
15B - 9978K	6617 B PolyMatrix
15H - 9979K	6617 H PolyMatrix
150 - 9488K	6617 10 BP-10 Smart Pad
150 - 9489K	6617 20 BP-20 Smart Pad
150 - 14779K	6617 30 BP-30 Smart Pad
150 - 12251K	6617 40 BP-40 Smart Pad

02 28 15 12 52

WWW.OFFROADTECHNOLOGY.FR

AERO4

RÉFÉRENCE

DESCRIPTION

ÉTRIER :

120-14004-BK	CALIPER AERO4	1,12/1,12" pistons, 0,81" disc
120-13338-BK	CALIPER AERO4	1,12/1,12" pistons, 1,10" disc
120-13339	CALIPER AERO4	1,12/1,12" pistons, 1,25" disc
120-13282-BK	CALIPER AERO4	1,62/1,38" pistons, 1,25" disc
120-13286-BK	CALIPER AERO4	1,88/1,62" pistons, 1,25" disc
120-13288	CALIPER AERO4	1,88/1,62" pistons, 1,25" disc
120-13298	CALIPER AERO4	1,88/1,62" pistons, 1,25" disc

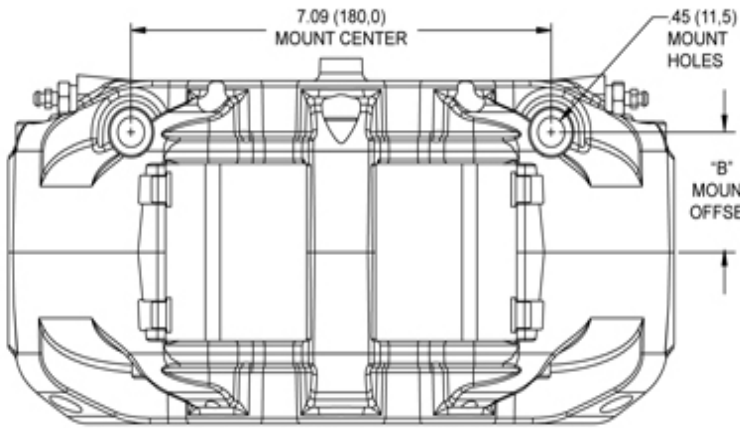
PLAQUETTE :

15A-9977K	POLYMATRIX PAD SET	6617
15B-9978K	POLYMATRIX PAD SET	6617
15H-9979K	POLYMATRIX PAD SET	6617
150-9488K	PAD SET BP-10	6617
150-9489K	PAD SET BP-20	6617
150-14779K	PAD SET BP-30	6617
150-12251K	PAD SET BP-40	6617

02 28 15 12 52

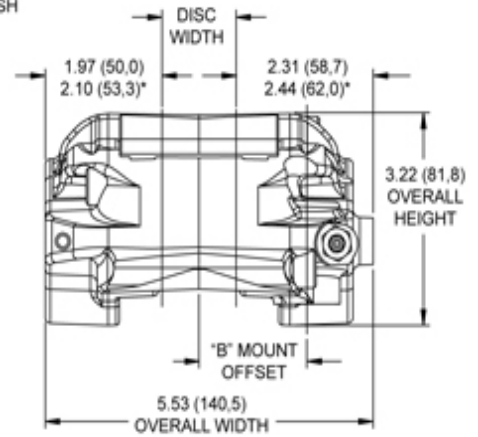
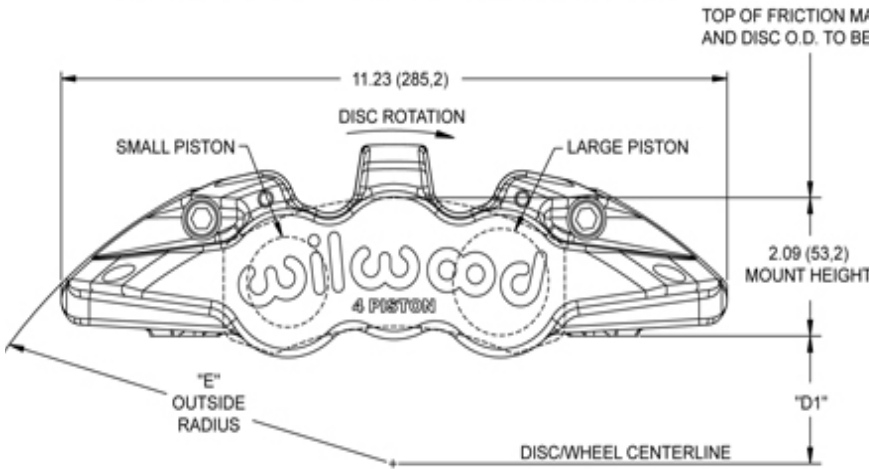
WWW.OFFROADTECHNOLOGY.FR

AERO4 DUST SEAL

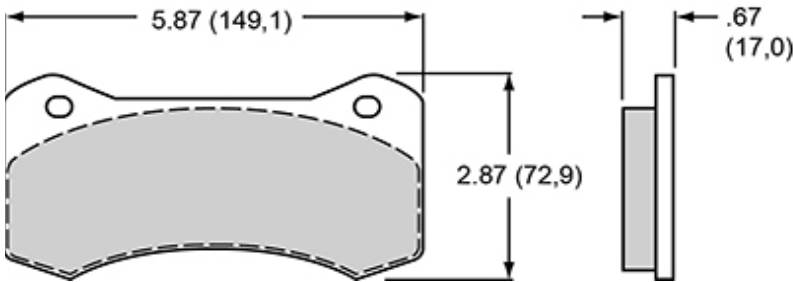


DISC WIDTH	"B" MOUNT OFFSET	DISC DIAMETER	"E" OUTSIDE RADIUS
1.10 (27,9)	1.74 (44,9)	12.19 (309,5)	7.37 (187,3)
1.25 (31,8)	1.82 (46,2)	12.72 (323,1)	7.55 (191,7)
1.25 (31,8)*	1.95 (49,5)*	12.88 (327,2)	7.60 (193,1)
		13.00 (330,2)	7.64 (194,1)
		13.06 (331,7)	7.67 (194,7)
		14.00 (355,6)	8.00 (203,1)
		14.25 (362,0)	8.09 (205,3)
		14.75 (374,7)	8.27 (210,0)
		15.00 (381,0)	8.36 (212,4)

DIMENSION "D1" = (DISC DIAMETER/2) - 2.09 (53,1)
 INLET FITTING: 1/8-27 NPT
 RADIAL MOUNT BRACKETS ARE AVAILABLE
 *AEROLITE 4R/ST MODELS WITH .80" THICK PADS



AEROLITE 4/6 CALIPER, TYPE 6617 PAD DIMENSIONS AND ORDERING INFORMATION:



AXLE SET P/N	PAD TYPE / COMPOUND
15A - 9977K	6617 A PolyMatrix
15B - 9978K	6617 B PolyMatrix
15H - 9979K	6617 H PolyMatrix
150 - 9488K	6617 10 BP-10 Smart Pad
150 - 9489K	6617 20 BP-20 Smart Pad
150 - 14779K	6617 30 BP-30 Smart Pad
150 - 12251K	6617 40 BP-40 Smart Pad

02 28 15 12 52

WWW.OFFROADTECHNOLOGY.FR

AERO4 DUST SEAL

RÉFÉRENCE

DESCRIPTION

ÉTRIER :

120-14441-BK	CALIPER AERO4 DS	1,12/1,12" pistons, 0,81" disc
120-14440-BK	CALIPER AERO4 DS	1,12/1,12" pistons, 1,10" disc
120-15598	CALIPER AERO4 DS	1,38" pistons, 1,10" disc

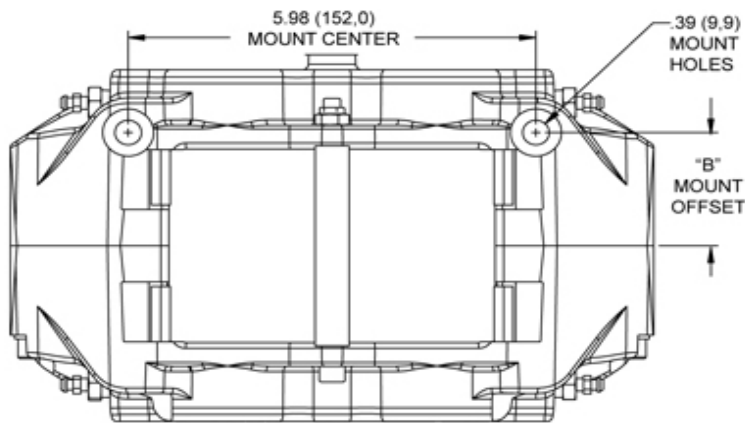
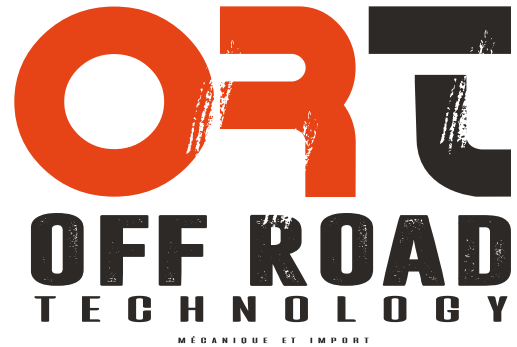
PLAQUETTE :

15A-9977K	POLYMATRIX PAD SET	6617
15B-9978K	POLYMATRIX PAD SET	6617
15H-9979K	POLYMATRIX PAD SET	6617
150-9488K	PAD SET BP-10	6617
150-9489K	PAD SET BP-20	6617
150-14779K	PAD SET BP-30	6617
150-12251K	PAD SET BP-40	6617

02 28 15 12 52

WWW.OFFROADTECHNOLOGY.FR

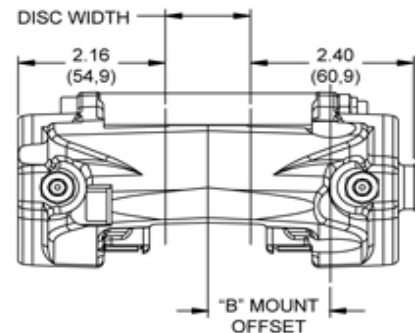
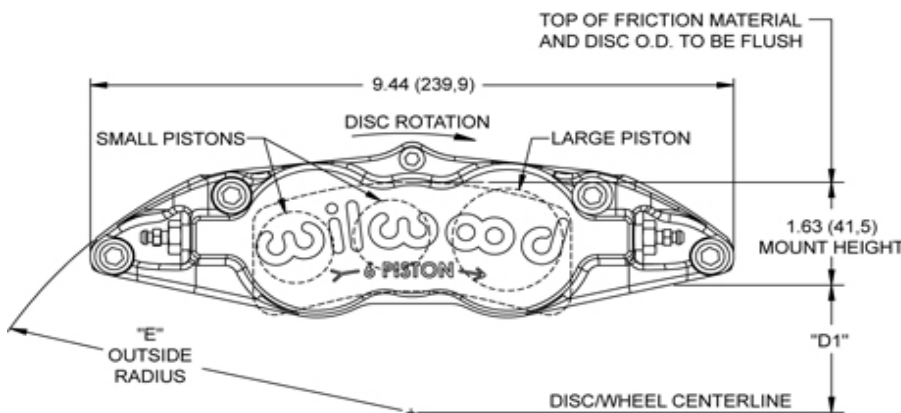
FORGED SUPERLITE 6R RADIAL MOUNT



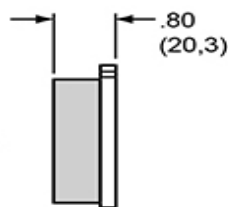
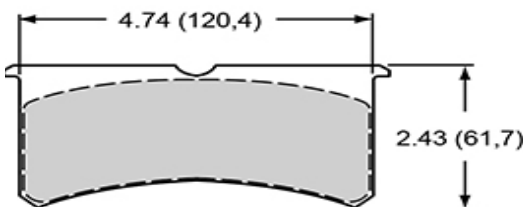
"B"	
DISC WIDTH	MOUNT OFFSET
.81 (20,6)	1.58 (40,1)
1.25 (31,8)	1.80 (45,7)

"E"	
DISC DIAMETER	OUTSIDE RADIUS
11.75 (298,5)	6.81 (173,0)
12.19 (309,5)	6.97 (177,1)
12.72 (323,1)	7.18 (182,4)
12.88 (327,2)	7.25 (184,2)
13.00 (330,2)	7.31 (185,7)
14.00 (355,6)	7.76 (197,1)

DIMENSION "D1" = (DISC DIAMETER/2) - 1.63 (41,5)
 NOTE: RIGHT HAND CALIPER SHOWN
 INLET FITTING: 1/8-27 NPT
 RADIAL MOUNT BRACKETS ARE AVAILABLE



NARROW SUPERLITE 4 CALIPER, TYPE 7420 PAD DIMENSIONS AND ORDERING INFORMATION:



AXLE SET P/N	PAD TYPE / COMPOUND
15A - 5938K	7420 A PolyMatrix
15B - 5939K	7420 B PolyMatrix
15C - 6853K	7420 C PolyMatrix
15E - 6084K	7420 E PolyMatrix
15H - 8114K	7420 H PolyMatrix
15J - 6443K	7420 J PolyMatrix
15Q - 6829K	7420 Q PolyMatrix
150 - 8854K	7420 10 BP-10 Smart Pad
150 - 9416K	7420 20 BP-20 Smart Pad
150 - 14773K	7420 30 BP-30 Smart Pad
150 - 12245K	7420 40 BP-40 Smart Pad
150 - 8323K	7420 CM For Titanium Rotor

02 28 15 12 52

WWW.OFFROADTECHNOLOGY.FR

FORGED SUPERLITE 6R RADIAL MOUNT

RÉFÉRENCE

DESCRIPTION

ÉTRIER :

120-13238	CALIPER FSL6R	1,62/1,12/1,12" pistons, 0,81" disc
120-13236	CALIPER FSL6R	1,62/1,12/1,12" pistons, 1,25" disc
120-13268	CALIPER FSL6R	1,62/1,12/1,12" pistons, 1,25" disc

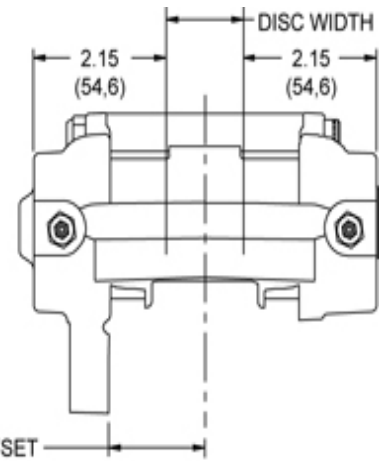
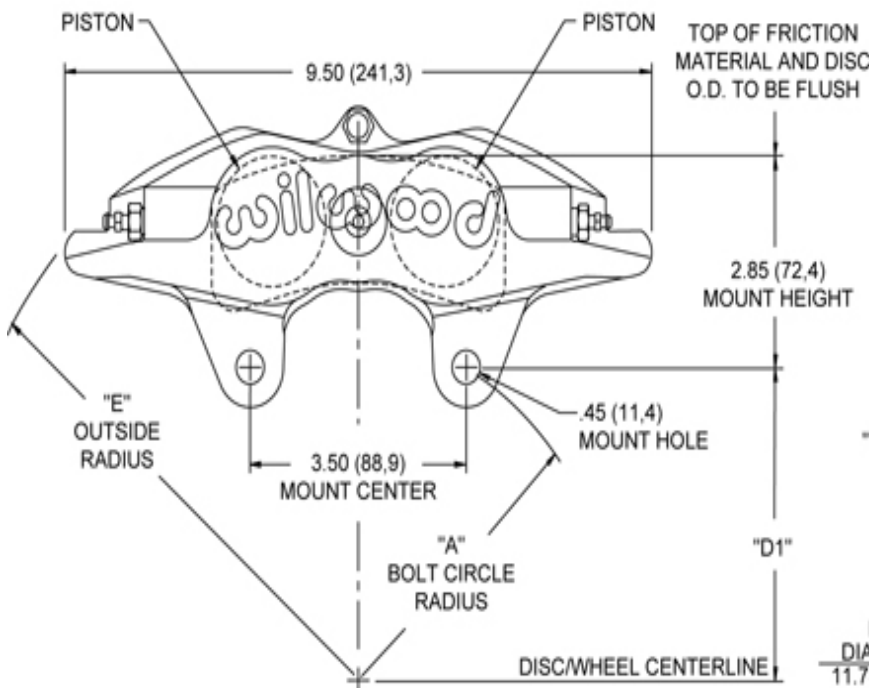
PLAQUETTE :

15A-5938K	POLYMATRIX	7420
15B-5939K	POLYMATRIX	7420
15E-6084K	POLYMATRIX	7420
15H-8114K	POLYMATRIX	7420
15Q-6829K	POLYMATRIX	7420
150-8854K	BP-10 SMART PAD	7420
150-9416K	BP-20 SMART PAD	7420
150-14773K	BP-30 SMART PAD	7420
150-12245K	BP-40 SMART PAD	7420

02 28 15 12 52

WWW.OFFROADTECHNOLOGY.FR

FORGED SUPERLITE INTERNAL



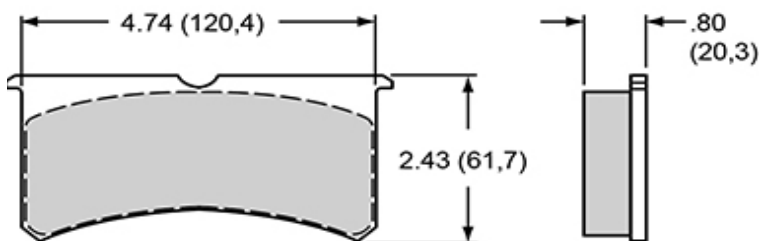
DISC WIDTH	"B" MOUNT OFFSET
1.25 (31,8)	1.56 (39,6)
1.10 (27,9)	1.46 (37,1)
.81 (20,6)	1.34 (34,0)

DISC DIAMETER	"A" BOLT CIRCLE RADIUS	"E" OUTSIDE RADIUS
11.75 (298,5)	3.50 (88,9)	6.69 (169,9)
12.19 (309,6)	3.69 (93,7)	6.85 (174,0)
12.72 (323,1)	3.92 (99,6)	7.05 (179,1)
12.88 (327,2)	4.00 (101,6)	7.12 (180,8)
13.00 (330,2)	4.05 (102,9)	7.18 (182,4)

DIMENSION "D1" = (DISC DIAMETER/2) - 2.85 (72,4)

INLET FITTING: 1/8-27 NPT

NARROW SUPERLITE 4 CALIPER, TYPE 7420 PAD DIMENSIONS AND ORDERING INFORMATION:



AXLE SET P/N	PAD TYPE / COMPOUND
15A - 5938K	7420 A PolyMatrix
15B - 5939K	7420 B PolyMatrix
15C - 6853K	7420 C PolyMatrix
15E - 6084K	7420 E PolyMatrix
15H - 8114K	7420 H PolyMatrix
15J - 6443K	7420 J PolyMatrix
15Q - 6829K	7420 Q PolyMatrix
150 - 8854K	7420 10 BP-10 Smart Pad
150 - 9416K	7420 20 BP-20 Smart Pad
150 - 14773K	7420 30 BP-30 Smart Pad
150 - 12245K	7420 40 BP-40 Smart Pad
150 - 8323K	7420 CM For Titanium Rotor

02 28 15 12 52

WWW.OFFROADTECHNOLOGY.FR

FORGED SUPERLITE INTERNAL

RÉFÉRENCE

DESCRIPTION

ÉTRIER :

120-11125	CALIPER FSLI	1,12" pistons, 0,81" disc
120-11126	CALIPER FSLI	1,25" pistons, 0,81" disc
120-11127	CALIPER FSLI	1,25" pistons, 1,25" disc
120-11128	CALIPER FSLI	1,38" pistons, 0,81" disc
120-11129	CALIPER FSLI	1,38" pistons, 1,10" disc
120-11130	CALIPER FSLI	1,38" pistons, 1,25" disc
120-11131	CALIPER FSLI	1,62" pistons, 0,81" disc
120-11132	CALIPER FSLI	1,62" pistons, 1,10" disc
120-11133	CALIPER FSLI	1,62" pistons, 1,25" disc
120-11134	CALIPER FSLI	1,75" pistons, 0,81" disc
120-11135	CALIPER FSLI	1,75" pistons, 1,10" disc
120-11136	CALIPER FSLI	1,75" pistons, 1,25" disc
120-11138	CALIPER FSLI4	1,88/1,75" pistons, 0,81" disc
120-11330	CALIPER FSLI4	1,88/1,75" pistons, 1,25" disc
120-13156	CALIPER FSLI4-ST	1,88/1,75" pistons, 0,81" disc

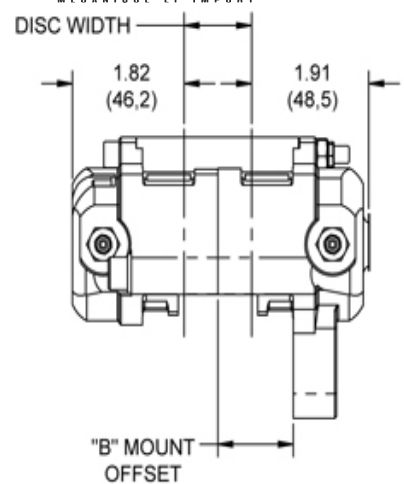
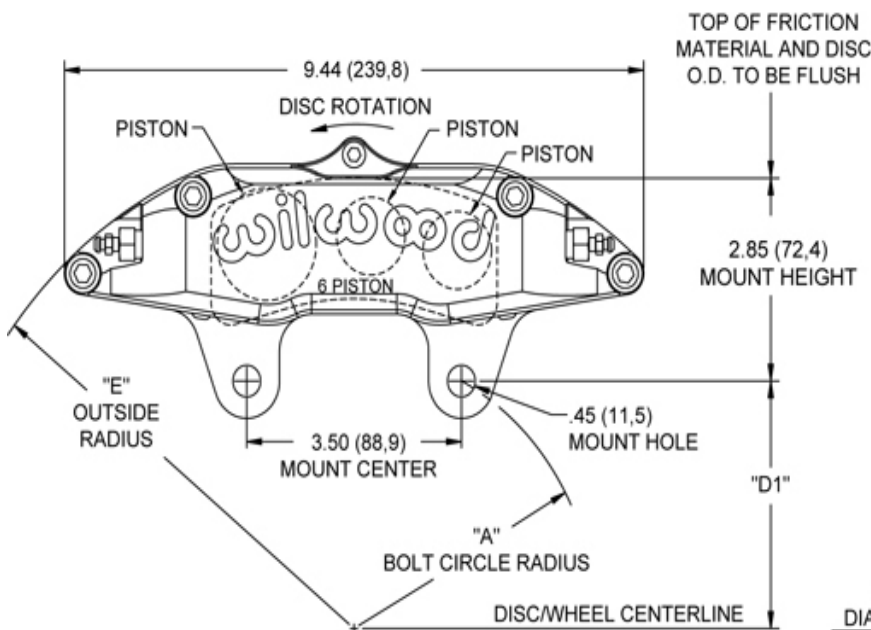
PLAQUETTE :

15A-5938K	POLYMATRIX	7420
15B-5939K	POLYMATRIX	7420
15E-6084K	POLYMATRIX	7420
15H-8114K	POLYMATRIX	7420
15Q-6829K	POLYMATRIX	7420
150-8854K	BP-10 SMART PAD	7420
150-9416K	BP-20 SMART PAD	7420
150-14773K	BP-30 SMART PAD	7420
150-12245K	BP-40 SMART PAD	7420

02 28 15 12 52

WWW.OFFROADTECHNOLOGY.FR

BILLET NARROW SUPERLITE 6 LUG MOUNT



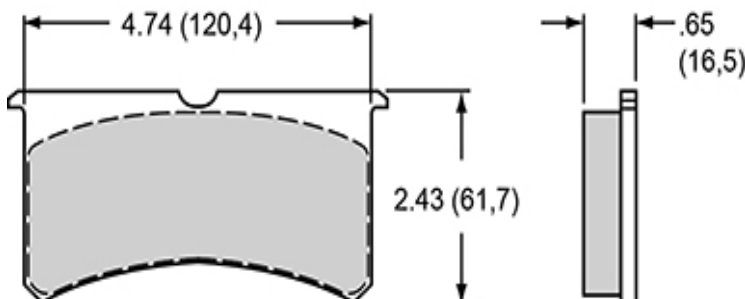
DIMENSION "D1" = (DISC DIAMETER/2) - 2.85 (72,4)

NOTE: RIGHT HAND CALIPER SHOWN.
INLET FITTING: 1/8-27 NPT

DISC WIDTH	"B" MOUNT OFFSET
1.10 (27,9)	1.23 (31,2)

DISC DIAMETER	"A" BOLT CIRCLE RADIUS	"E" OUTSIDE RADIUS
11.75 (298,5)	3.45 (87,6)	6.62 (168,1)
12.19 (309,6)	3.63 (92,2)	6.80 (172,7)
12.72 (323,1)	3.87 (98,3)	7.05 (179,1)
12.88 (327,2)	3.94 (100,1)	7.13 (181,1)
13.00 (330,2)	4.00 (101,6)	7.18 (182,4)

NARROW SUPERLITE 6 CALIPER, TYPE 7416 PAD DIMENSIONS AND ORDERING INFORMATION:



AXLE SET P/N	PAD TYPE / COMPOUND
15A - 6704K	7416 A PolyMatrix
15B - 6705K	7416 B PolyMatrix
15E - 6707K	7416 E PolyMatrix
15H - 8546K	7416 H PolyMatrix
15Q - 6828K	7416 Q PolyMatrix
150 - 8855K	7416 10 BP-10 Smart Pad
150 - 9415K	7416 20 BP-20 Smart Pad
150 - 14772K	7416 30 BP-30 Smart pad
150 - 12244K	7416 40 BP-40 Smart Pad

02 28 15 12 52

WWW.OFFROADTECHNOLOGY.FR

BILLET NARROW SUPERLITE 6 LUG MOUNT

RÉFÉRENCE

DESCRIPTION

ÉTRIER :

120-13383-BK

CALIPER BNSL6

1,62/1,12/1,12" pistons, 1,10" disc

PLAQUETTE :

15A-6704K

POLYMATRIX

7416

15B-6705K

POLYMATRIX

7416

15E-6707K

POLYMATRIX

7416

15H-8546K

POLYMATRIX

7416

15Q-6828K

POLYMATRIX

7416

150-8855K

BP-10 SMART PAD

7416

150-9415K

BP-20 SMART PAD

7416

150-14772K

BP-30 SMART PAD

7416

150-12244K

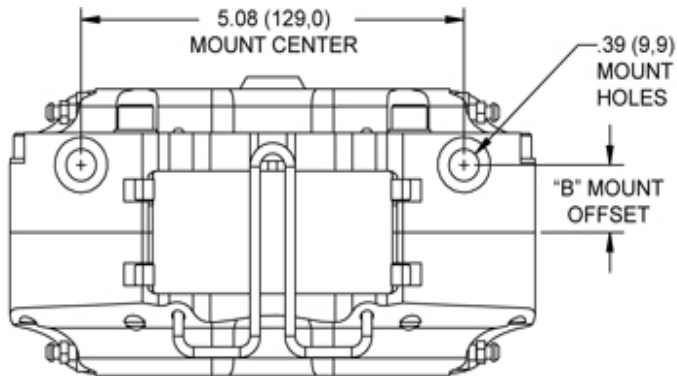
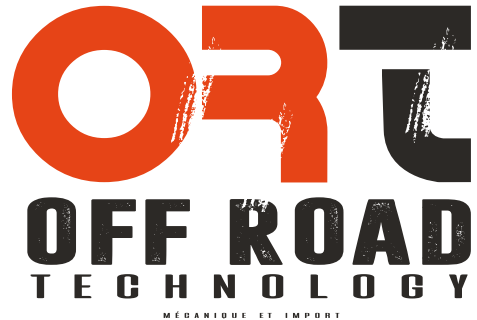
BP-40 SMART PAD

7416

02 28 15 12 52

WWW.OFFROADTECHNOLOGY.FR

POWERLITE



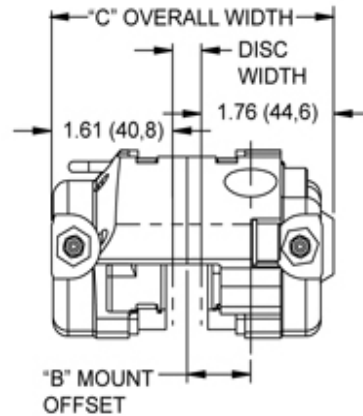
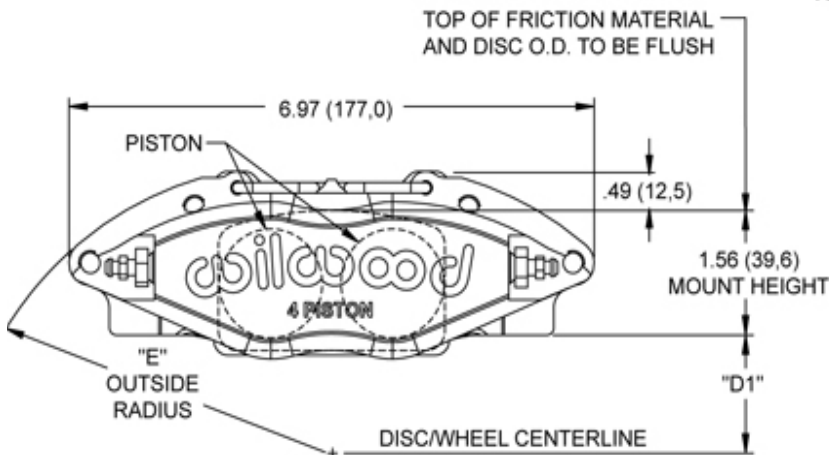
	"B"	"C"
DISC WIDTH	MOUNT OFFSET	OVERALL WIDTH
.35/.50 (8,9/12,7)	.85 (21,5)	3.74 (95,1)
.79/.86 (20,0/22,0)	1.03 (26,2)	4.11 (104,4)

DISC DIAMETER	"E" OUTSIDE RADIUS
9.75 (247,7)	5.56 (142,0)
10.25 (260,4)	5.81 (147,5)
10.50 (266,7)	5.93 (150,5)
10.75 (273,0)	6.04 (153,5)
11.00 (279,4)	6.16 (156,5)

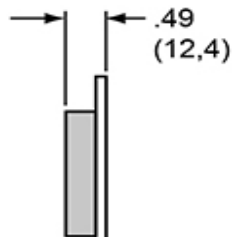
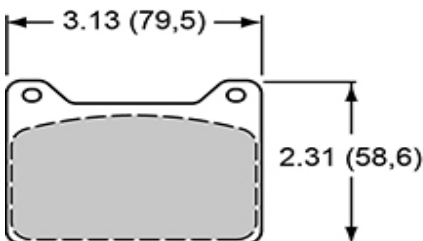
DIMENSION "D1" = (DISC DIAMETER/2) - 1.56 (39,6)

INLET FITTING: 1/8-27 NPT

RADIAL MOUNT BRACKETS ARE AVAILABLE



POWERLITE CALIPER, TYPE 7912 PAD DIMENSIONS AND ORDERING INFORMATION:



AXLE SET P/N	PAD TYPE / COMPOUND
15A - 8809K	7912 A PolyMatrix
15B - 8949K	7912 B PolyMatrix
15E - 8810K	7912 E PolyMatrix
15H - 8811K	7912 H PolyMatrix
15Q - 8812K	7912 Q PolyMatrix
150 - 8813K	7912 10 BP-10 Smart Pad
150 - 9420K	7912 20 BP-20 Smart Pad
150 - 14781K	7912 30 BP-30 Smart Pad
150 - 12842K	7912 40 BP-40 Smart Pad

02 28 15 12 52

WWW.OFFROADTECHNOLOGY.FR

POWERLITE

RÉFÉRENCE

DESCRIPTION

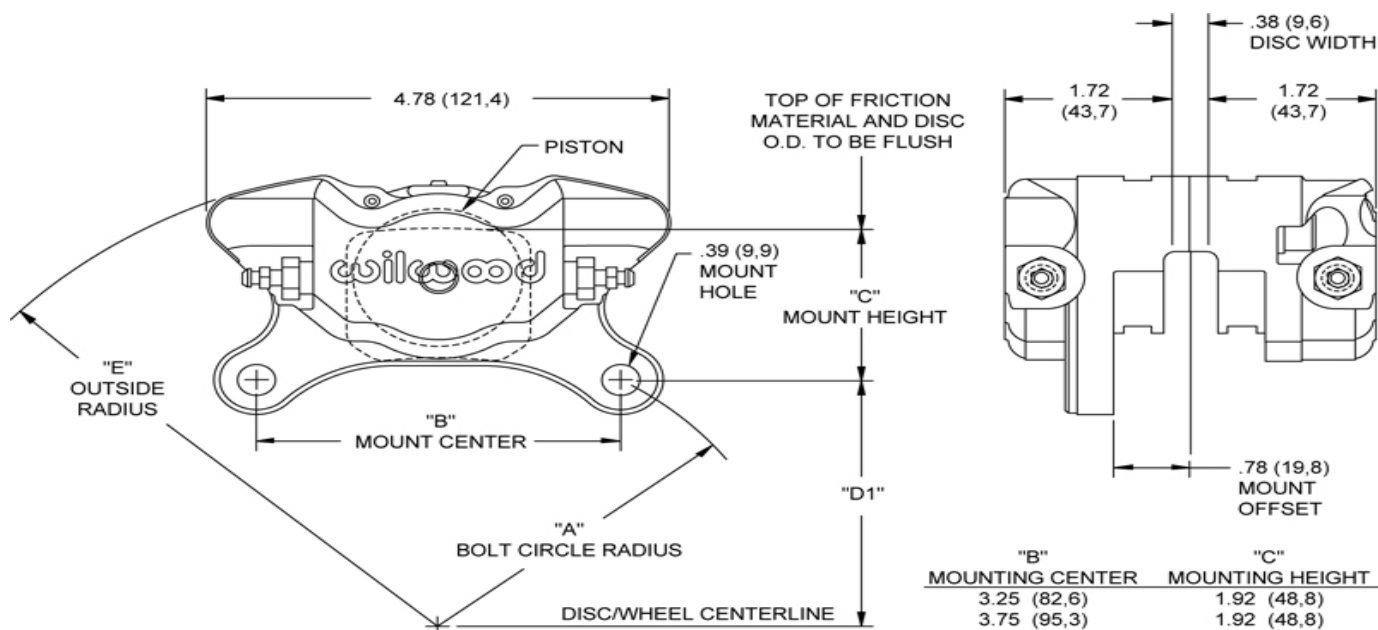
ÉTRIER :

120-8724	CALIPER POWERLITE	1,00" pistons, 0,350"/0,500" disc
120-8727	CALIPER POWERLITE	1,00" pistons, 0,790"/0,860" disc
120-8725	CALIPER POWERLITE	1,25" pistons, 0,350"/0,500" disc
120-8728	CALIPER POWERLITE	1,25" pistons, 0,790"/0,860" disc
120-15734	CALIPER POWERLITE	1,25" pistons, 0,35/0,50" disc
120-15735	CALIPER POWERLITE	1,25" pistons, 0,79/0,86" disc
120-8726	CALIPER POWERLITE	1,38" pistons, 0,350"/0,500" disc
120-8729	CALIPER POWERLITE	1,38" pistons, 0,790"/0,860" disc
120-15736	CALIPER POWERLITE	1,38" pistons, 0,35/0,50" disc
120-15737	CALIPER POWERLITE	1,38" pistons, 0,79/0,86" disc

PLAQUETTE :

15A-8809K	POLYMATRIX	7912
15B-8949K	POLYMATRIX	7912
15E-8810K	POLYMATRIX	7912
15H-8811K	POLYMATRIX	7912
15Q-8812K	POLYMATRIX	7912
150-8813K	BP-10 SMART PAD	7912
150-9420K	BP-20 SMART PAD	7912
150-14781K	BP-30 SMART PAD	7912
150-12842K	BP-40 SMART PAD	7912

DYNAPRO SINGLE

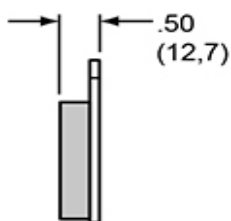
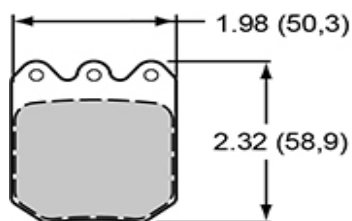


DIMENSION "D1" = (DISC DIAMETER/2) - "C" MOUNT HEIGHT

INLET FITTING: 1/8-27 NPT

DISC DIAMETER	"A" BOLT CIRCLE RADIUS		"E" OUTSIDE RADIUS
	WHEN "B" = 3.25	WHEN "B" = 3.75	
10.00 (254,0)	3.48 (88,4)	3.61 (91,7)	5.84 (148,3)
10.25 (260,4)	3.59 (91,2)	3.71 (94,2)	5.96 (151,4)
10.50 (266,7)	3.70 (94,0)	3.82 (97,0)	6.07 (154,2)
11.00 (279,4)	3.93 (99,8)	4.04 (102,6)	6.31 (160,3)
11.75 (298,4)	4.28 (108,7)	4.38 (111,2)	6.66 (169,2)
12.19 (309,6)	4.48 (113,8)	4.58 (116,3)	6.87 (174,5)

DYNAPRO SINGLE CALIPER, TYPE 6812 PAD DIMENSIONS AND ORDERING INFORMATION:



AXLE SET P/N	PAD TYPE / COMPOUND
15A - 10142K	6812 A PolyMatrix
15B - 9819K	6812 B PolyMatrix
15E - 9820K	6812 E PolyMatrix
15Q - 10144K	6812 Q PolyMatrix
150 - 9764K	6812 10 BP-10 Smart Pad
150 - 9765K	6812 20 BP-20 Smart Pad
150 - 14770K	6812 30 BP-30 Smart Pad
150 - 12242K	6812 40 BP-40 Smart Pad
150 - 14354K	6812 CM For Titanium Rotor
150 - 9766K	6812 For Aluminum Rotor

02 28 15 12 52

WWW.OFFROADTECHNOLOGY.FR

DYNAPRO SINGLE

RÉFÉRENCE

DESCRIPTION

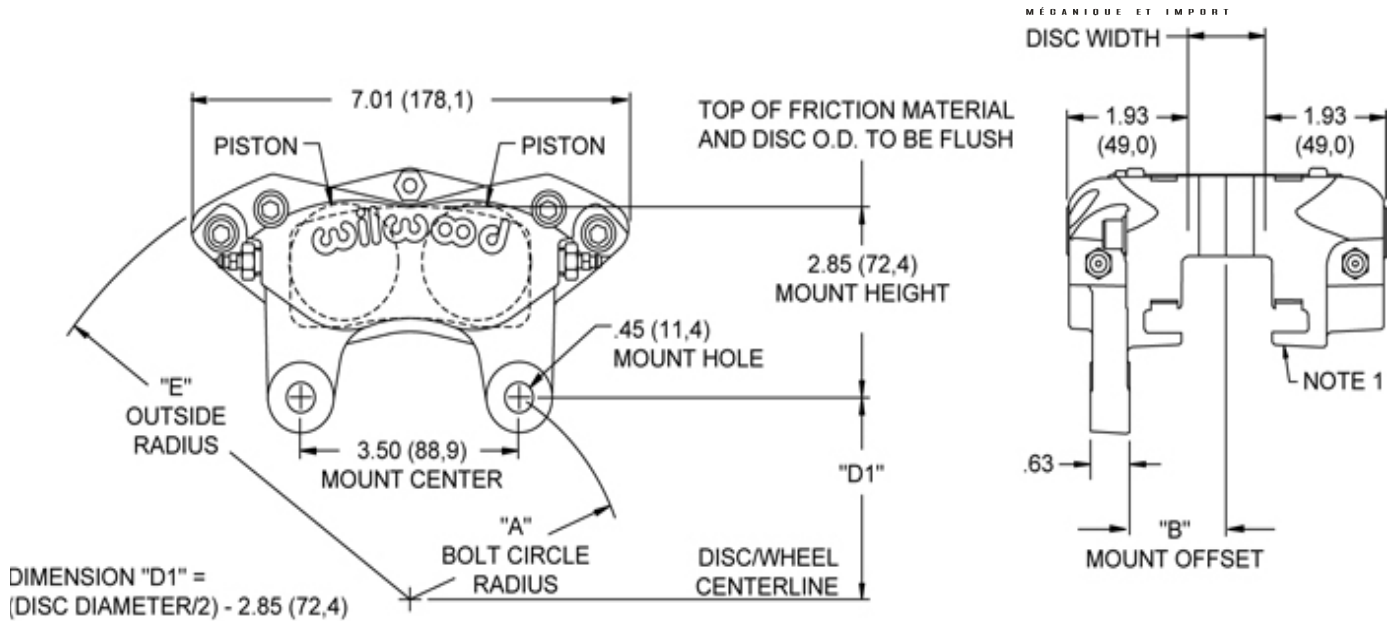
ÉTRIER :

120-9688-LP	CALIPER DPS, 3,25"mt	1,38" pistons, 0,19" disc, long piston
120-9688	CALIPER DPS, 3,25"mt	1,38" pistons, 0,38" disc
120-9690	CALIPER DPS, 3,75"mt	1,38" pistons, 0,38" disc
120-9689-LP	CALIPER DPS, 3,75"mt	1,75" pistons, 0,19" disc, long piston
120-9687	CALIPER DPS, 3,25"mt	1,75" pistons, 0,38" disc
120-9689	CALIPER DPS, 3,75"mt	1,75" pistons, 0,38" disc
120-10188	CALIPER DPS, LW 3,25"mt	1,75" pistons, 0,38" disc

PLAQUETTE :

15A-10142K	POLYMATRIX	6812
15B-9819K	POLYMATRIX	6812
15E-9820K	POLYMATRIX	6812
15Q-10144K	POLYMATRIX	6812
150-9764K	PAD SET BP10	6812
150-9765K	PAD SET BP20	6812
150-14770K	PAD SET BP30	6812
150-12242K	PAD SET BP40	6812
150-14354K	FOR TITANIUM ROTOR	6812
150-9766K	FOR ALUMINIUM ROTOR	6812

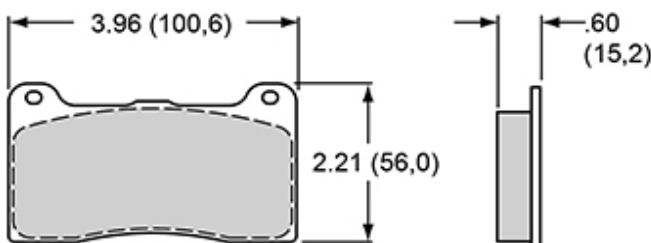
FORGED NARROW DYNALITE



INLET FITTING: 1/8-27 NPT

DISC WIDTH	"B" MOUNT OFFSET	DISC DIAMETER	"A" BOLT CIRCLE RADIUS	"E" OUTSIDE RADIUS
1.25 (31,8)	1.55 (39,4)	11.75 (298,5)	3.49 (88,6)	6.74 (171,2)
1.00 (25,4)	1.43 (36,3)	12.19 (309,6)	3.69 (93,7)	6.94 (176,3)
.81 (20,6)	1.33 (33,8)			
.38 (9,6)	1.11 (28,2)			

NARROW DYNAPRO LUG CALIPER, TYPE 7816 PAD DIMENSIONS AND ORDERING INFORMATION:



AXLE SET P/N	PAD TYPE / COMPOUND
15A - 7263K	7816 A PolyMatrix
15B - 7264K	7816 B PolyMatrix
15E - 7266K	7816 E PolyMatrix
15H - 10645K	7816 H PolyMatrix
15Q - 7268K	7816 Q PolyMatrix
150 - 8946K	7816 10 BP-10 Smart Pad
150 - 9419K	7816 20 BP-20 Smart Pad
150 - 14776K	7816 30 BP-30 Smart Pad
150 - 12248K	7816 40 BP-40 Smart Pad
150 - 14346K	7816 CM For Titanium Rotor

02 28 15 12 52

WWW.OFFROADTECHNOLOGY.FR

FORGED NARROW DYNALITE

RÉFÉRENCE

DESCRIPTION

ÉTRIER :

120-11577	CALIPER FNDL, 3,50"mt	1,12" pistons, 0,38" disc
120-11578	CALIPER FNDL, 3,50"mt	1,12" pistons, 0,81" disc
120-11579	CALIPER FNDL, 3,50"mt	1,12" pistons, 0,25" disc
120-11574	CALIPER FNDL, 3,50"mt	1,38" pistons, 0,38" disc
120-11575	CALIPER FNDL, 3,50"mt	1,38" pistons, 0,81" disc
120-15255	CALIPER FNDL, 3,50"mt	1,38" pistons, 1,00" disc
120-11576	CALIPER FNDL, 3,50"mt	1,38" pistons, 1,25" disc
120-14330	CALIPER FNDL, 3,50"mt	1,62" pistons, 0,38" disc
120-14331	CALIPER FNDL, 3,50"mt	1,62" pistons, 0,81" disc
120-14332	CALIPER FNDL, 3,50"mt	1,62" pistons, 1,00" disc
120-14333	CALIPER FNDL, 3,50"mt	1,62" pistons, 1,25" disc
120-11571	CALIPER FNDL, 3,50"mt	1,75" pistons, 0,38" disc
120-11571-SI	CALIPER FNDL, 3,50"mt	1,75" pistons, 0,38" disc
120-11572	CALIPER FNDL, 3,50"mt	1,75" pistons, 0,81" disc
120-11572-SI	CALIPER FNDL, 3,50"mt	1,75" pistons, 0,81" disc
120-15254	CALIPER FNDL, 3,50"mt	1,75" pistons, 1,00" disc
120-11573	CALIPER FNDL, 3,50"mt	1,75" pistons, 1,25" disc

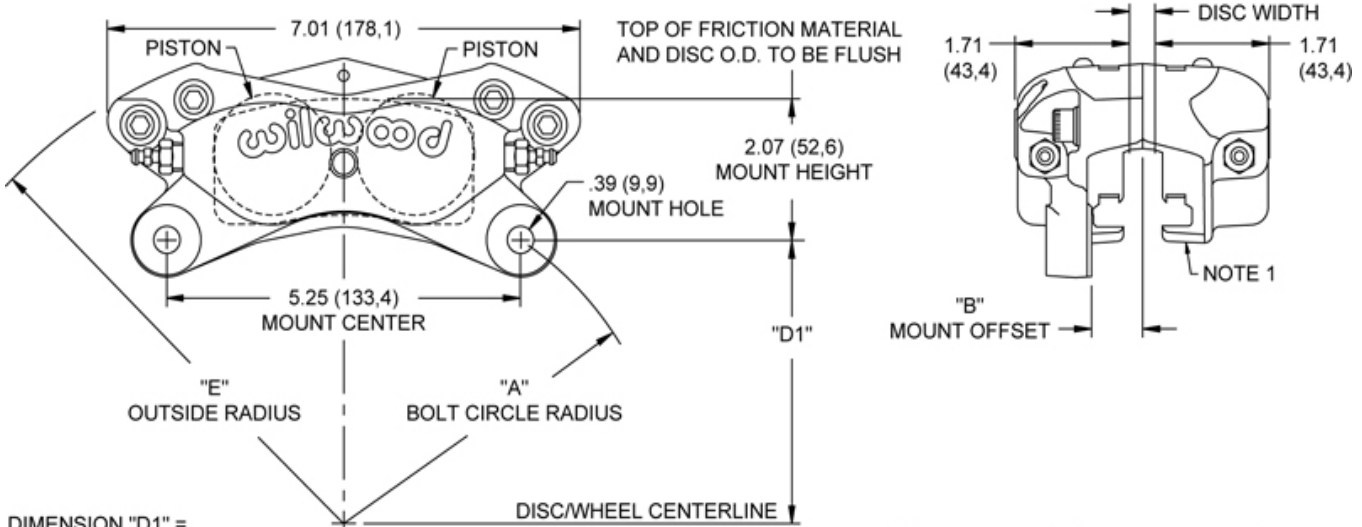
PLAQUETTE :

15A-7263K	POLYMATRIX	7816
15B-7264K	POLYMATRIX	7816
15E-7266K	POLYMATRIX	7816
15H-10645K	POLYMATRIX	7816
15Q-7268K	POLYMATRIX	7816
150-8946K	BP-10 SMART PAD	7816
150-9419K	BP-20 SMART PAD	7816
150-14776K	BP-30 SMART PAD	7816
150-12248K	BP-40 SMART PAD	7816
150-14346K	FOR TITANIUM ROTOR	7816

02 28 15 12 52

WWW.OFFROADTECHNOLOGY.FR

FORGED DYNALITE



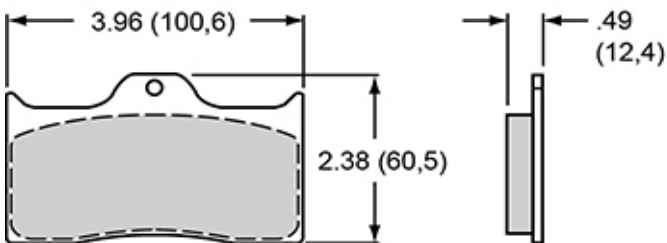
DIMENSION "D1" =
(DISC DIAMETER/2) - 2.07 (52,6)

INLET FITTING: 1/8-27 NPT

DISC WIDTH	"B" MOUNT OFFSET	DISC DIAMETER	"A" BOLT CIRCLE RADIUS	"E" OUTSIDE RADIUS
.38 (9,7)	.76 (19,3)	10.00 (254,0)	3.93 (99,8)	6.02 (152,9)
.50 (12,7)	.82 (20,8)	10.50 (266,7)	4.12 (104,6)	6.23 (158,2)
.81 (20,6)	.98 (24,9)	10.75 (273,1)	4.22 (107,2)	6.34 (163,3)
1.00 (25,4)	1.08 (27,4)	11.00 (279,4)	4.32 (109,7)	6.44 (161,0)
1.06 (26,9)	1.10 (27,9)	11.44 (290,6)	4.50 (114,3)	6.63 (168,4)
1.10 (27,9)	1.12 (28,4)	11.75 (298,5)	4.63 (117,6)	6.76 (171,7)
1.25 (31,8)	1.20 (30,5)	12.19 (309,6)	4.81 (122,2)	6.97 (177,0)

NOTE: 1. POSSIBLE HAT INTERFERENCE DEPENDING ON APPLICATION

DYNALITE CALIPER, TYPE 7112 PAD DIMENSIONS AND ORDERING INFORMATION:



AXLE SET P/N	PAD TYPE / COMPOUND
15A - 5734K	7112 A PolyMatrix
15B - 3991K	7112 B PolyMatrix
15C - 4415K	7112 C PolyMatrix
15E - 6096K	7112 E PolyMatrix
15H - 8291K	7112 H PolyMatrix
15Q - 6824K	7112 Q PolyMatrix
150 - 8850K	7112 10 BP-10 Smart Pad
150 - 9413K	7112 20 BP-20 Smart Pad
150 - 14771K	7112 30 BP-30 Smart Pad
150 - 12243K	7112 40 BP-40 Smart Pad
150 - 8450K	7112 CM For Titanium Rotor

02 28 15 12 52

WWW.OFFROADTECHNOLOGY.FR

FORGED DYNALITE

RÉFÉRENCE

DESCRIPTION

ÉTRIER :

120-6808	CALIPER FORGED DYNALITE	1,38" pistons, 0,38" disc
120-6807	CALIPER FORGED DYNALITE	1,38" pistons, 0,50" disc
120-6806	CALIPER FORGED DYNALITE	1,38" pistons, 0,81" disc
120-6805	CALIPER FORGED DYNALITE	1,38" pistons, 1,00" disc
120-6804	CALIPER FORGED DYNALITE	1,38" pistons, 1,25" disc
120-14312	CALIPER FORGED DYNALITE ST	1,38" pistons, 0,81" disc
120-6813	CALIPER FORGED DYNALITE	1,62" pistons, 0,38" disc
120-6811	CALIPER FORGED DYNALITE	1,62" pistons, 0,81" disc
120-6810	CALIPER FORGED DYNALITE	1,62" pistons, 1,00" disc
120-14303	CALIPER FORGED DYNALITE ST	1,62" pistons, 0,81" disc
120-6818	CALIPER FORGED DYNALITE	1,75" pistons, 0,38" disc
120-6817	CALIPER FORGED DYNALITE	1,75" pistons, 0,50" disc
120-6816	CALIPER FORGED DYNALITE	1,75" pistons, 0,81" disc
120-6815	CALIPER FORGED DYNALITE	1,75" pistons, 1,00" disc
120-8076	CALIPER FORGED DYNALITE	1,75" pistons, 1,06" disc
120-12502	CALIPER FORGED DYNALITE	1,75" pistons, 1,10" disc
120-6814	CALIPER FORGED DYNALITE	1,75" pistons, 1,25" disc

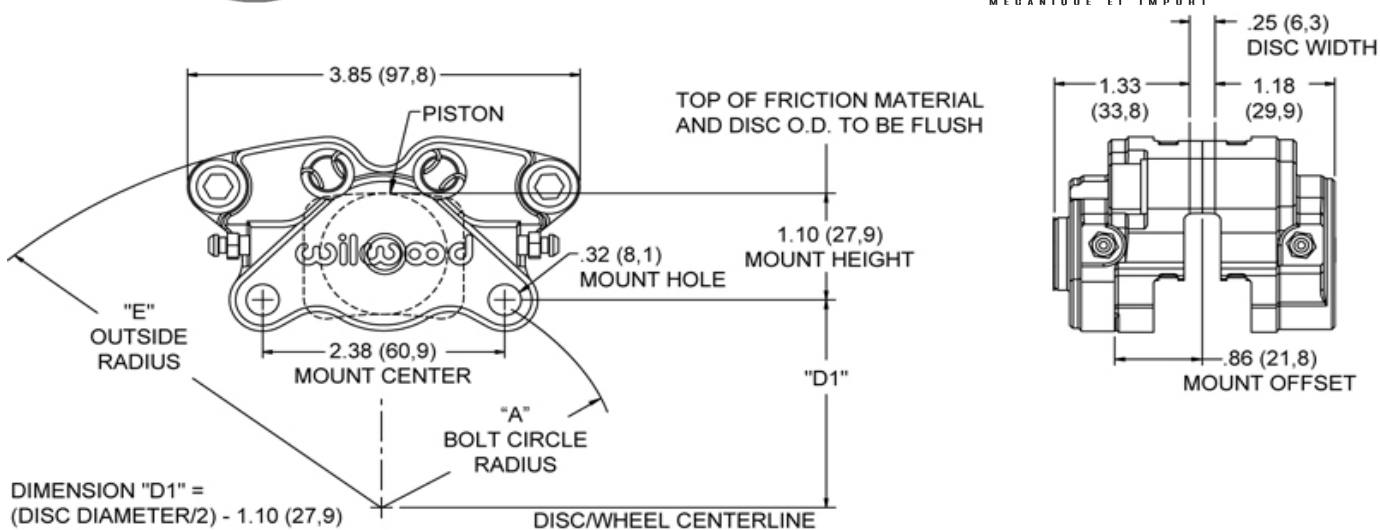
PLAQUETTE :

15A-5734K	POLYMATRIX PAD SET	7112
15B-3991K	POLYMATRIX PAD SET	7112
15E-6096K	POLYMATRIX PAD SET	7112
15H-8291K	POLYMATRIX PAD SET	7112
15Q-6824K	POLYMATRIX PAD SET	7112
150-8850K	PAD SET BP-10	7112
150-9413K	PAD SET BP-20	7112
150-14771K	PAD SET BP-30	7112
150-12243K	PAD SET BP-40	7112

02 28 15 12 52

WWW.OFFROADTECHNOLOGY.FR

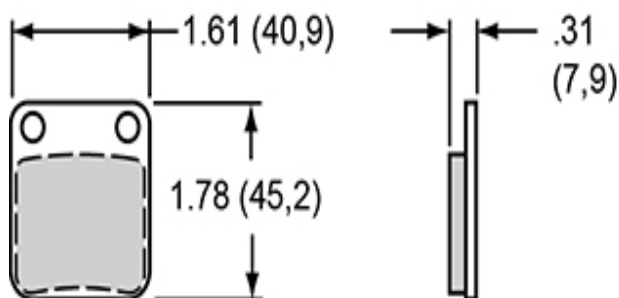
GP200



INLET FITTING: 1/8-27 NPT

DISC DIAMETER	"E" OUTSIDE RADIUS	"D1" HEIGHT	"A" BOLT CIRCLE RADIUS
8.00 (203,2)	4.68 (118,9)	2.90 (73,7)	3.13 (79,5)
8.75 (222,2)	5.03 (127,8)	3.28 (83,2)	3.48 (88,4)
10.00 (254,0)	5.62 (142,8)	3.90 (99,1)	4.07 (103,4)
10.50 (266,7)	5.86 (148,9)	4.15 (105,4)	4.31 (109,6)
10.75 (273,0)	5.90 (149,9)	4.28 (108,6)	4.43 (112,6)
11.00 (278,4)	6.10 (155,0)	4.40 (111,8)	4.57 (115,0)

GP 200 CALIPER, TYPE 4908 PAD DIMENSIONS AND ORDERING INFORMATION:



AXLE SET P/N	PAD TYPE / COMPOUND
150 - 14407K	4908 CM Composite Metallic
150 - 12270K	4908 Purple Pad for Aluminum Rotor

02 28 15 12 52

WWW.OFFROADTECHNOLOGY.FR

GP200

RÉFÉRENCE

DESCRIPTION

ÉTRIER :

120-12178

CALIPER GP200

1,25" pistons, 0,25" disc

PLAQUETTE :

150-14407K

PAD SET, COMPOSITE METALLIC

4908

150-12270K

PAD SET, PURPLE, ALUMINIUM ROTOR

4908

02 28 15 12 52

WWW.OFFROADTECHNOLOGY.FR

<u>RÉFÉRENCE</u>	<u>CODE</u>	<u>TARIF HT</u>
120-10000	D	302,31 €
120-10188	E	143,59 €
120-10525	D	294,37 €
120-10526	D	294,37 €
120-10715	D	205,21 €
120-10754	D	662,07 €
120-10936	D	193,55 €
120-10937	D	193,55 €
120-10938	D	193,55 €
120-10939-BK	D	193,55 €
120-11125	D	216,60 €
120-11126	D	216,60 €
120-11127	D	216,60 €
120-11128	F	259,92 €
120-11129	F	259,92 €
120-11130	F	259,92 €
120-11131	D	216,60 €
120-11132	D	216,60 €
120-11133	D	216,60 €
120-11134	F	259,92 €
120-11135	F	259,92 €
120-11136	F	259,92 €

REFERENCE	CODE	TARIFS HT
120-11138	D	227,72 €
120-11330	D	227,72 €
120-11571	D	165,17 €
120-11571-SI	D	181,05 €
120-11572	D	165,17 €
120-11572-SI	D	181,05 €
120-11573	D	165,17 €
120-11574	D	165,17 €
120-11575	D	165,17 €
120-11576	D	165,17 €
120-11577	D	170,57 €
120-11578	D	170,57 €
120-11579	D	170,57 €
120-11712	D	329,28 €
120-11779	D	391,18 €
120-11781	D	391,18 €
120-11782	D	359,45 €
120-11783	D	359,45 €
120-11784-BK	D	359,45 €
120-11876	D	359,45 €
120-12003-BK	D	391,18 €
120-12160	D	175,32 €
120-12178	D	115,67 €
120-12501-BK	D	304,60 €
120-12502	D	175,33 €
120-12602	D	518,16 €

REFERENCE	CODE	TARIFS HT
120-12603	D	518,16 €
120-12949-BK	D	256,65 €
120-13156	D	387,02 €
120-13228	D	279,16 €
120-13230	D	279,16 €
120-13233	D	279,16 €
120-13234	D	279,16 €
120-13236	D	311,20 €
120-13238	D	311,20 €
120-13264	D	438,18 €
120-13266	D	438,18 €
120-13268	D	517,55 €
120-13282-BK	D	534,05 €
120-13286-BK	D	534,05 €
120-13288	D	438,82 €
120-13290-BK	D	588,03 €
120-13292	D	492,80 €
120-13294-BK	D	588,03 €
120-13296	D	492,80 €
120-13298	D	788,98 €
120-13300	D	826,13 €
120-13302-N	D	921,37 €
120-13338-BK	D	534,05 €
120-13339	D	438,82 €
120-13383-BK	D	422,93 €
120-13405-SI	D	113,75 €

REFERENCE	CODE	TARIFS HT
120-13406-SI	D	113,75 €
120-13429	D	334,05 €
120-13431	D	334,05 €
120-13433-BK	D	334,05 €
120-13435	D	334,05 €
120-13437	D	334,05 €
120-13439	D	334,05 €
120-13551	D	175,33 €
120-13575	D	533,43 €
120-13576	D	438,18 €
120-13744	D	175,33 €
120-13745	D	175,33 €
120-13814	D	556,27 €
120-13816	D	556,27 €
120-13818	D	556,27 €
120-13829	D	533,43 €
120-13839	D	165,16 €
120-13840	D	165,16 €
120-13842-BK	D	226,88 €
120-13844	D	165,16 €
120-13845-BK	D	226,88 €
120-13846	D	165,16 €
120-13864-N	D	374,70 €
120-13915-BK	D	375,38 €
120-13916-BK	D	349,98 €
120-13947	D	413,48 €

REFERENCE	CODE	TARIFS HT
120-13949	D	645,23 €
120-14004-BK	D	534,05 €
120-14022	D	572,15 €
120-14024	D	572,15 €
120-14055-BK	D	304,60 €
120-14056-BK	D	304,60 €
120-14091	/	/
120-14303	D	334,07 €
120-14312	D	318,18 €
120-14318-FS	D	619,77 €
120-14318-RS	D	619,77 €
120-14320-FS	D	619,77 €
120-14320-RS	D	619,77 €
120-14330	D	165,17 €
120-14331	D	165,17 €
120-14332	D	168,35 €
120-14333	D	165,17 €
120-14344	D	607,70 €
120-14437-BK	D	454,68 €
120-14439-BK	D	357,93 €
120-14440-BK	D	657,53 €
120-14441-BK	D	657,53 €
120-14443-BK	D	651,52 €
120-14445-BK	D	651,52 €
120-14446-BK	D	213,95 €
120-14447-BK	D	213,95 €

REFERENCE	CODE	TARIFS HT
120-14490-BK	D	454,68 €
120-14540-BK	D	391,18 €
120-14551-BK	D	391,18 €
120-14600	D	469,93 €
120-14698	D	264,62 €
120-14699	D	264,62 €
120-14700	D	264,62 €
120-14701	D	264,62 €
120-14702	D	264,62 €
120-14703	D	264,62 €
120-14704	D	264,62 €
120-14705	D	264,62 €
120-14706	D	264,62 €
120-14707	D	264,62 €
120-14708	D	264,62 €
120-14709	D	264,62 €
120-14764-SI	D	113,75 €
120-14765-SI	D	113,75 €
120-14851	D	721,37 €
120-14851-BK	D	778,50 €
120-14861-BK	D	810,25 €
120-14863-BK	D	810,25 €
120-14932	D	165,16 €
120-14944	D	398,27 €
120-15254	D	165,17 €
120-15255	D	165,17 €

REFERENCE	CODE	TARIFS HT
120-15374	D	250,00 €
120-15453	D	398,27 €
120-15527	D	549,95 €
120-15563-SI	D	217,32 €
120-15564-SI	D	217,32 €
120-15565-SI	D	217,32 €
120-15566-SI	D	217,32 €
120-15567-SI	D	217,32 €
120-15568-SI	D	217,32 €
120-15585	D	169,93 €
120-15598	D	504,60 €
120-15734	D	287,27 €
120-15735	D	287,27 €
120-15736	D	287,27 €
120-15737	D	170,48 €
120-15769	D	616,62 €
120-15779	D	683,27 €
120-6804	D	252,48 €
120-6805	D	252,48 €
120-6806	D	191,36 €
120-6807	D	252,48 €
120-6808	D	191,36 €
120-6810	D	175,33 €
120-6811	D	175,33 €
120-6813	D	175,33 €
120-6814	D	159,47 €

<i>REFERENCE</i>	<i>CODE</i>	<i>TARIFS HT</i>
120-6815	<i>D</i>	175,33 €
120-6816	<i>D</i>	159,47 €
120-6817	<i>D</i>	175,33 €
120-6818	<i>F</i>	191,36 €
120-8062-L	<i>D</i>	478,50 €
120-8070-L	<i>D</i>	479,50 €
120-8071-L	<i>D</i>	480,50 €
120-8076	<i>D</i>	175,33 €
120-8525	<i>D</i>	188,08 €
120-8724	<i>E</i>	196,29 €
120-8725	<i>E</i>	196,29 €
120-8726	<i>E</i>	196,29 €
120-8727	<i>E</i>	196,29 €
120-8728	<i>E</i>	196,29 €
120-8729	<i>E</i>	196,29 €
120-9687	<i>E</i>	143,59 €
120-9688	<i>E</i>	148,79 €
120-9688-LP	<i>MÉCANIQUE ET EMPORT</i>	148,79 €
120-9689	<i>E</i>	143,59 €
120-9689-LP	<i>E</i>	143,59 €
120-9690	<i>E</i>	148,79 €
120-9691	<i>D</i>	224,53 €
120-9692	<i>D</i>	224,53 €
120-9693-SI	<i>D</i>	203,86 €
120-9694	<i>D</i>	224,53 €
120-9695-SI	<i>D</i>	216,60 €

REFERENCE	CODE	TARIFS HT
120-9701	D	216,60 €
120-9702	D	224,53 €
120-9703-SI	D	213,40 €
120-9704	D	224,53 €
120-9705-SI	D	213,40 €
120-9706	D	232,48 €
120-9933	D	302,31 €
150-10006K	D	114,30 €
150-10007K	D	111,13 €
150-11363K	D	87,38 €
150-12242K	D	105,53 €
150-12243K	D	131,32 €
150-12244K	D	180,51 €
150-12245K	D	190,81 €
150-12246K	D	286,05 €
150-12247K	D	160,08 €
150-12248K	D	164,26 €
150-12249K	D	177,35 €
150-12251K	D	228,90 €
150-12270K	D	59,07 €
150-12760K	D	178,93 €
150-12842K	D	140,71 €
150-13335K	D	66,86 €
150-13392K	D	115,31 €
150-13773K	D	310,70 €
150-14345K	D	136,87 €

REFERENCE	CODE	TARIFS HT
150-14346K	D	155,88 €
150-14354K	D	109,83 €
150-14362K	D	135,28 €
150-14407K	D	97,98 €
150-14770K	D	78,55 €
150-14771K	D	143,17 €
150-14772K	D	211,45 €
150-14773K	D	225,73 €
150-14773K	D	225,73 €
150-14774K	D	246,43 €
150-14775K	D	151,13 €
150-14776K	D	160,65 €
150-14777K	D	184,46 €
150-14779K	D	240,02 €
150-14780K	D	198,75 €
150-14781K	D	157,46 €
150-14897K	D	144,78 €
150-14939K	D	955,90 €
150-8813K	D	81,88 €
150-8850K	D	63,50 €
150-8854K	D	95,76 €
150-8855K	D	95,76 €
150-8939K	D	78,55 €
150-8946K	D	68,01 €
150-9118K	D	166,68 €
150-9136K	D	63,57 €

REFERENCE	CODE	TARIFS HT
150-9411K	D	198,75 €
150-9413K	D	70,15 €
150-9415K	D	99,70 €
150-9416K	D	99,70 €
150-9417K	D	111,13 €
150-9418K	D	78,80 €
150-9419K	D	79,96 €
150-9420K	D	90,78 €
150-9421K	D	87,00 €
150-9488K	D	122,43 €
150-9489K	D	168,58 €
150-9605K	D	111,13 €
150-9764K	D	60,52 €
150-9765K	D	66,73 €
150-9766K	D	78,55 €
150-9841K	D	356,87 €
150-D0008K	D	118,90 €
150-D1792K	D	149,53 €
15A-10142K	D	118,17 €
15A-10724K	D	197,17 €
15A-5734K	D	136,08 €
15A-5736K	D	246,08 €
15A-5737K	D	179,91 €
15A-5938K	D	209,56 €
15A-6202K	D	182,83 €
15A-6704K	D	202,03 €

REFERENCE	CODE	TARIFS HT
15A-7263K	D	169,18 €
15A-8809K	D	119,95 €
15A-9835K	D	169,93 €
15A-9977K	D	244,58 €
15B-10725K	D	192,83 €
15B-11966K	D	136,08 €
15B-3991K	D	134,72 €
15B-3993K	D	241,32 €
15B-3994K	D	170,63 €
15B-5939K	D	184,26 €
15B-6705K	D	180,61 €
15B-7264K	D	164,83 €
15B-8949K	D	159,90 €
15B-9819K	D	108,08 €
15B-9836K	D	167,48 €
15B-9978K	D	229,73 €
15E-10228K	D	158,90 €
15E-12605K	D	127,13 €
15E-6084K	D	130,06 €
15E-6096K	D	100,48 €
15E-6101K	D	162,25 €
15E-6102K	D	125,00 €
15E-6707K	D	133,23 €
15E-7266K	D	120,23 €
15E-8810K	D	94,50 €
15E-9820K	D	93,98 €

REFERENCE	CODE	TARIFS HT
15E-9837K	D	124,18 €
15H-10644K	D	164,67 €
15H-10645K	D	174,90 €
15H-10726K	D	206,50 €
15H-14366K	D	233,42 €
15H-8114K	D	238,25 €
15H-8232K	D	179,70 €
15H-8291K	D	138,25 €
15H-8596K	D	143,21 €
15H-8811K	D	188,48 €
15H-9979K	D	250,87 €
15Q-10144K	D	100,33 €
15Q-10385K	D	131,83 €
15Q-11967K	D	129,28 €
15Q-6824K	D	109,03 €
15Q-6828K	D	144,20 €
15Q-6829K	D	142,43 €
15Q-6830K	D	135,05 €
15Q-7268K	D	139,25 €
15Q-8812K	D	98,00 €
CATALOGUE WILWOOD	2020	WWW.OFFROADTECHNOLOGY.FR